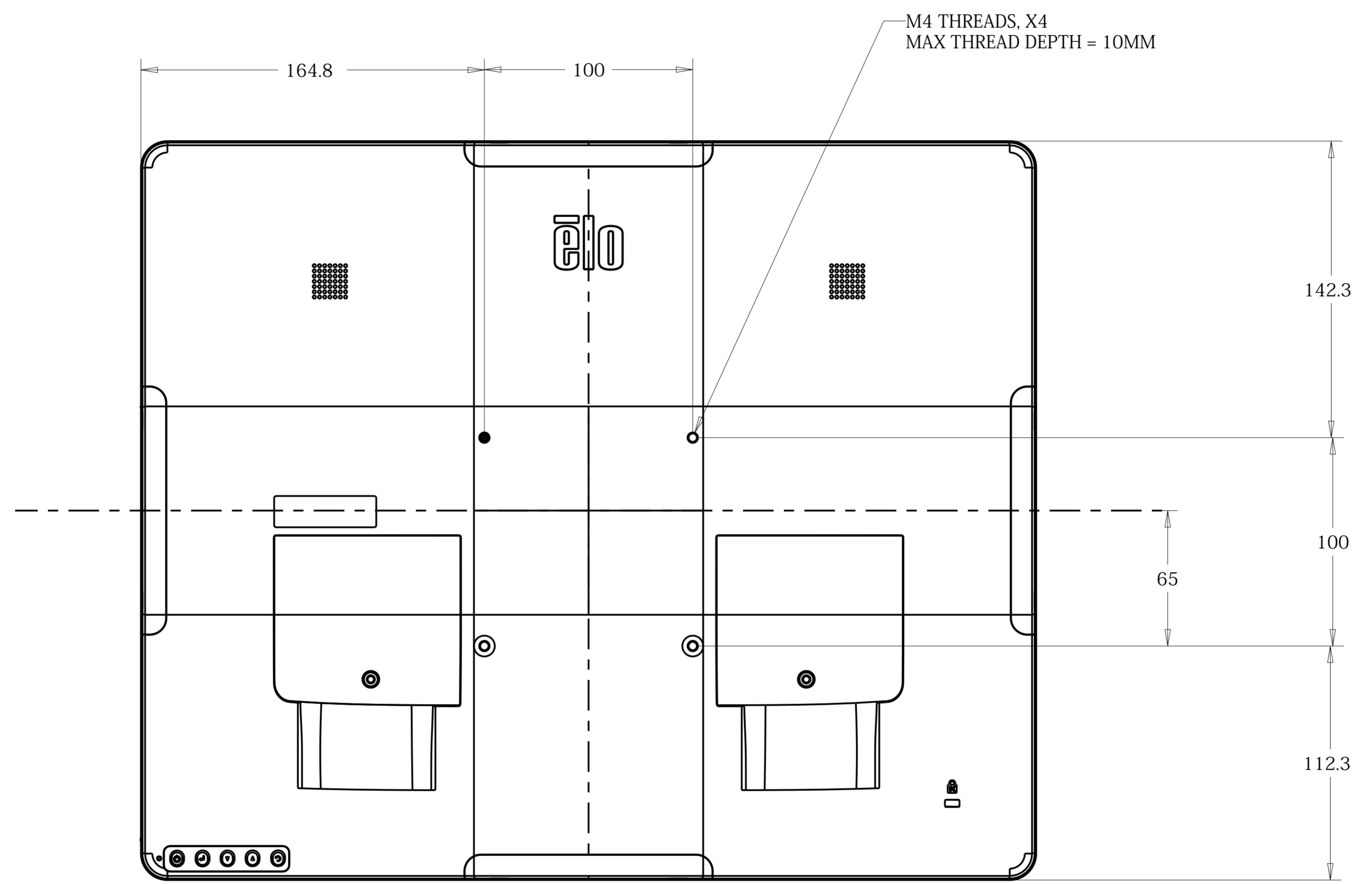


CABLE TIE-DOWN POINTS  
 (TIE-WRAPS NOT INCLUDED)

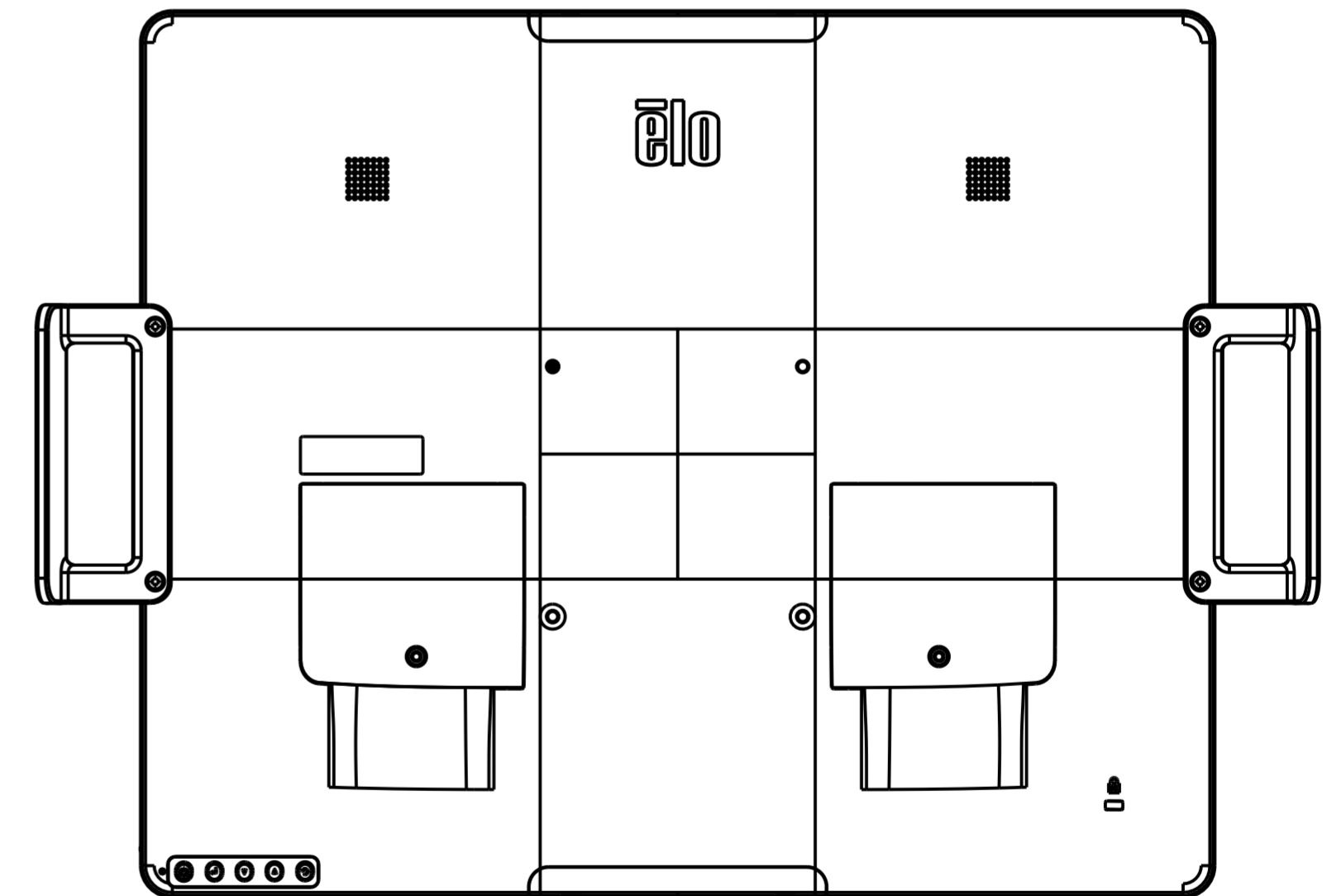
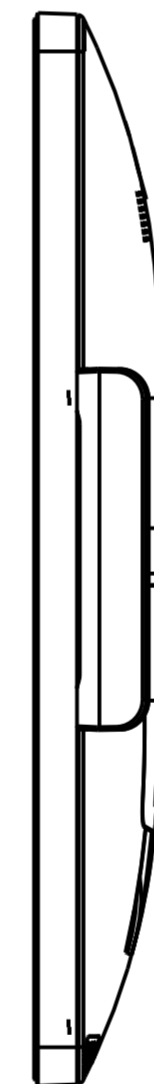
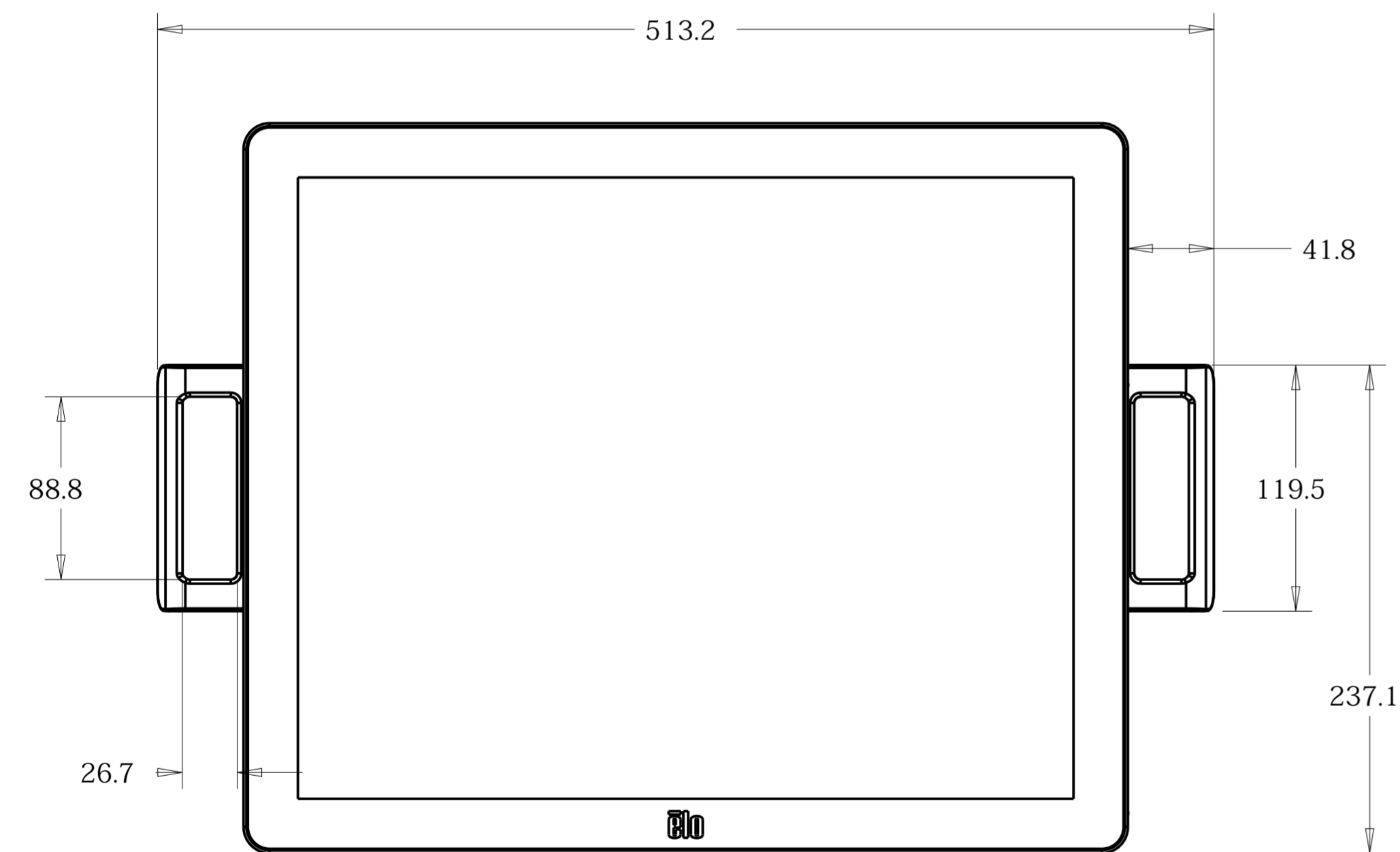
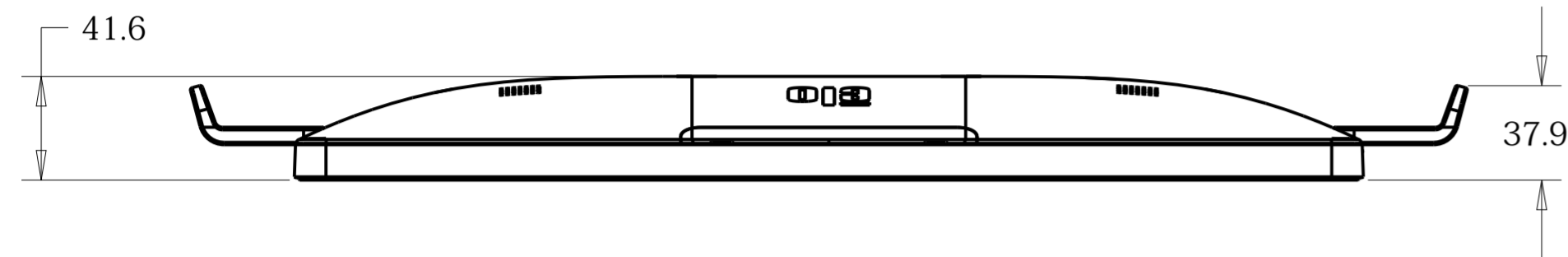
VESA MOUNTING  
VESA MIS-D, 100, C

REMOVE STAND TO ACCESS VESA MOUNTING INTERFACE



HANDLE KIT P/N E352196  
 ORDERED SEPARATELY, CUSTOMER ASSEMBLED  
 2 HANDLES WITH MOUNTING SCREWS INCLUDED IN KIT  
 HANDLES CAN BE ASSEMBLED ON ANY OF THE FOUR SIDES

HANDLES ARE INTENDED TO ADJUST TILT OF DISPLAY.  
 DO NOT CARRY TOUCHMONITOR USING HANDLES.



ELO PERIPHERAL MOUNTING INTERFACE  
ONE MOUNTING LOCATION ON EACH SIDE (4 TOTAL)

