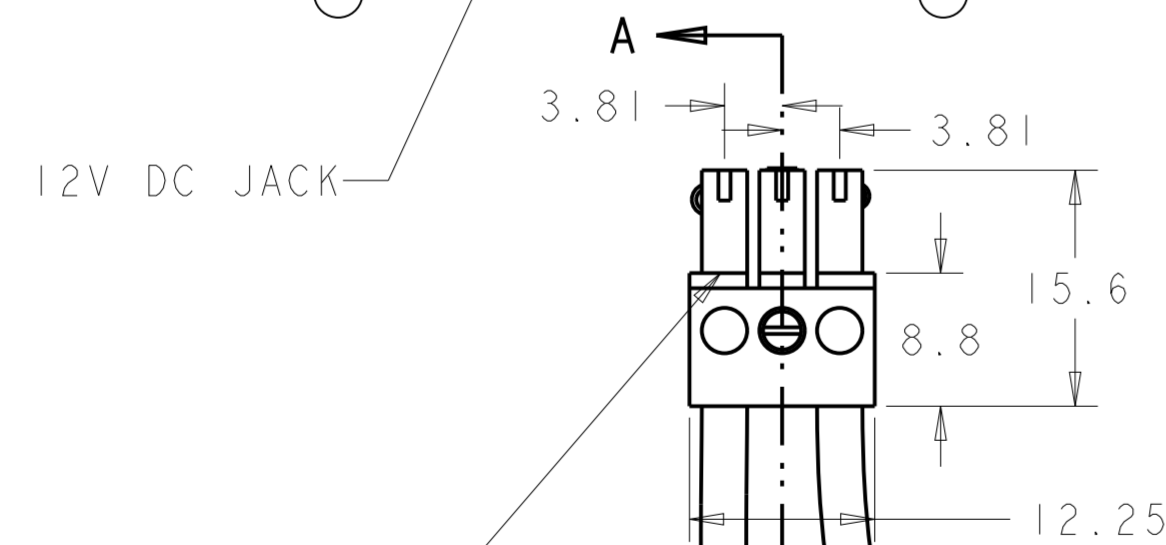
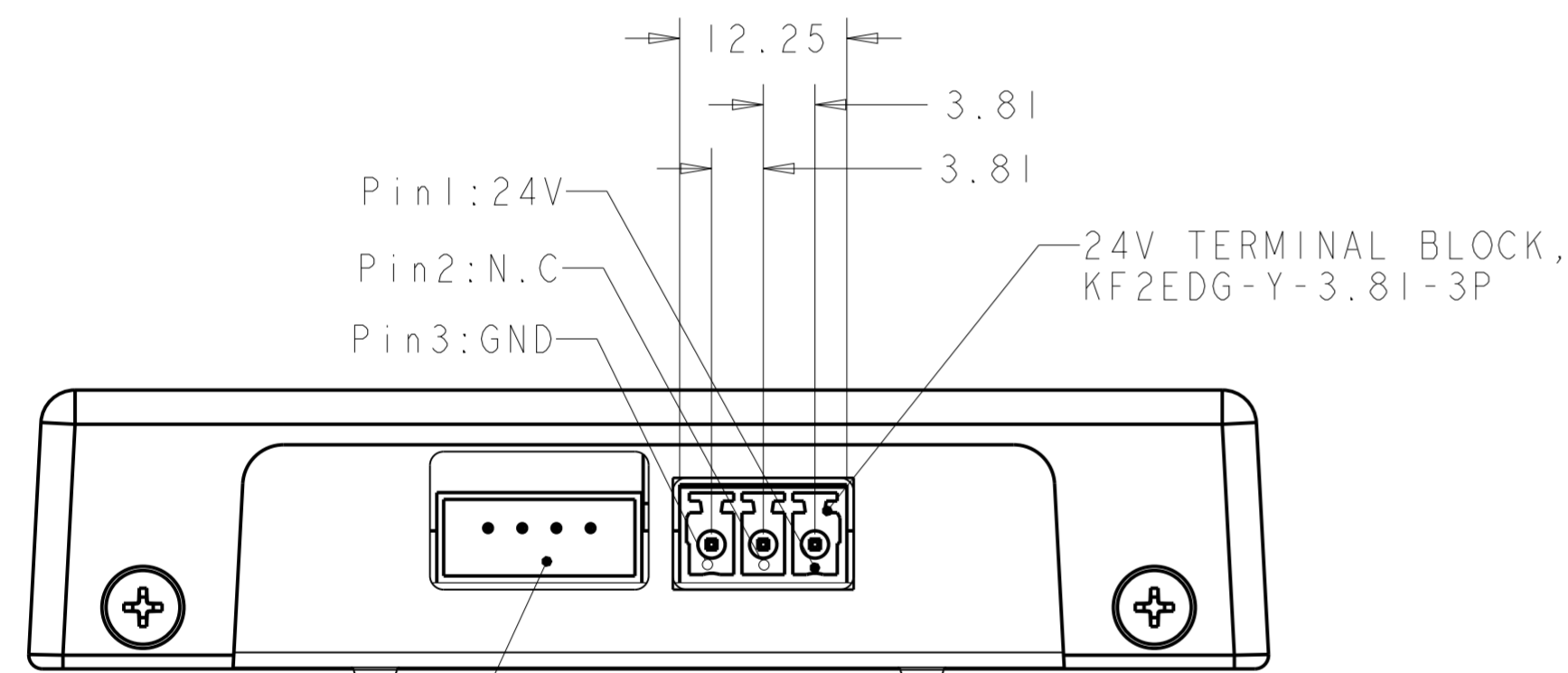
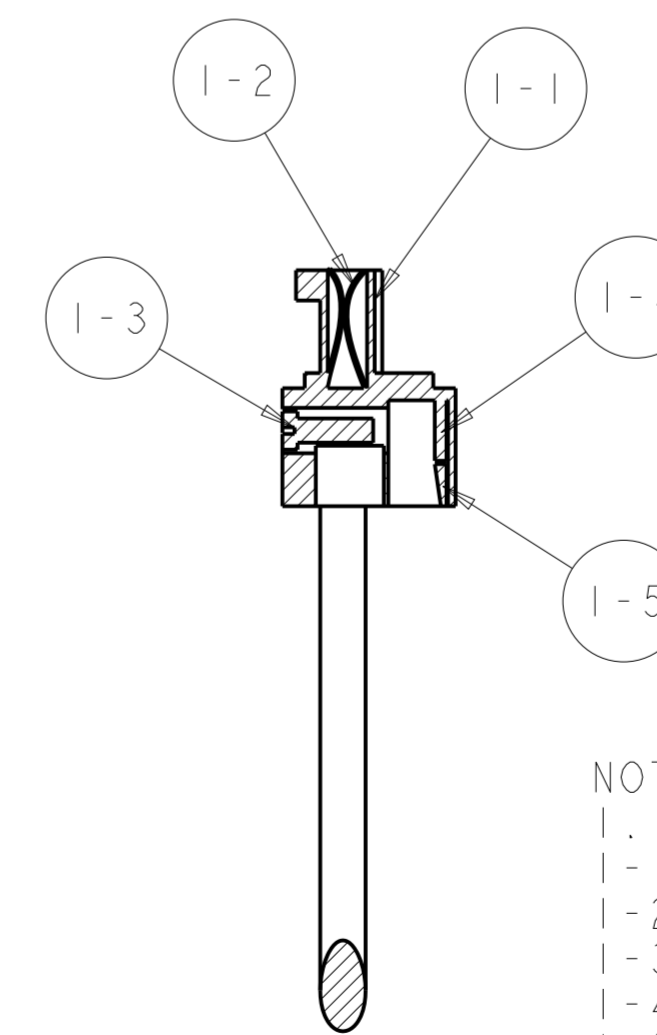


SCALE 1:2

ATTACH DC/DC CONVERTER TO MONITOR ETI598L WITH 2XM4 SCREW



THE FEMALE CONNECTOR CABLE SHIPPED WITH CONVERTER



- NOTES:
1. ELECTRICAL CHARACTERISTICS:
    - 1-1. CONTACT CURRENT RATING: 8A
    - 1-2. CONTACT VOLTAGE RATING: 300V AC
    - 1-3. CONTACT RESISTANCE: 20MΩ MAX.
    - 1-4. DIELECTRIC WITHSTANDING VOLTAGE: 1500V. AC. FOR 1 MINUTE
    - 1-5. INSULATION RESISTANCE: 500 MΩ MIN. AT 500V. DC
  2. MECHANICAL PROPERTIES
    - 2-1. TEMPERATURE RANGE: -40°C TO +105°C
    - 2-2. TORSION: 0.2N.M/2.04 KGF.CM
    - 2-3. STRIP LENGTH: 6~7 MM