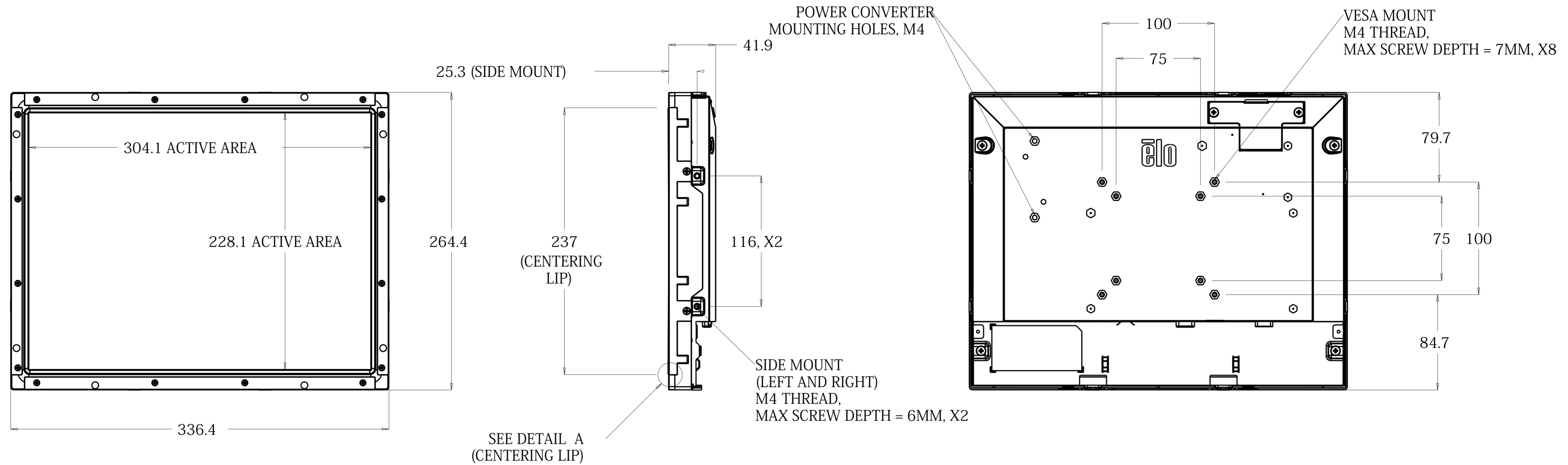
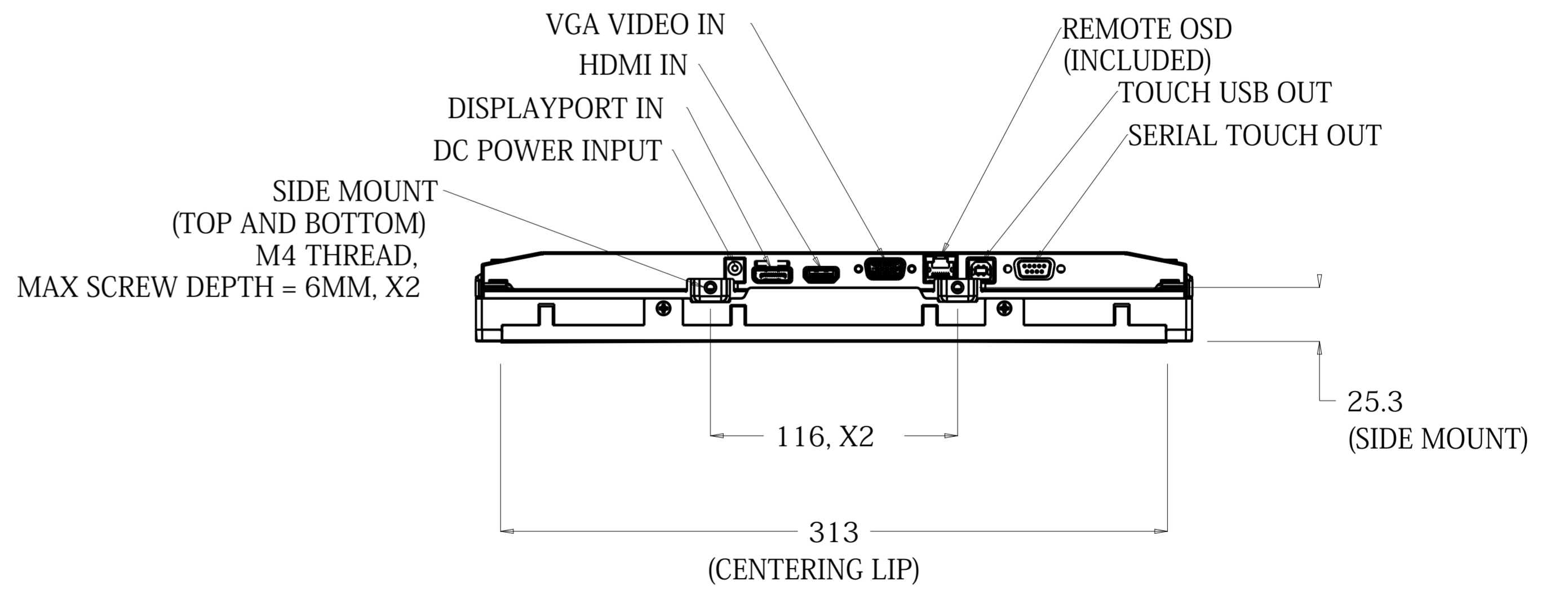
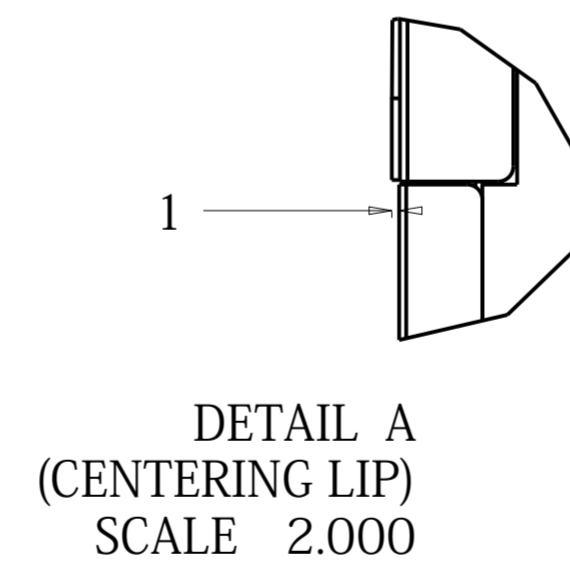


# 5線式抵抗膜方式モデル

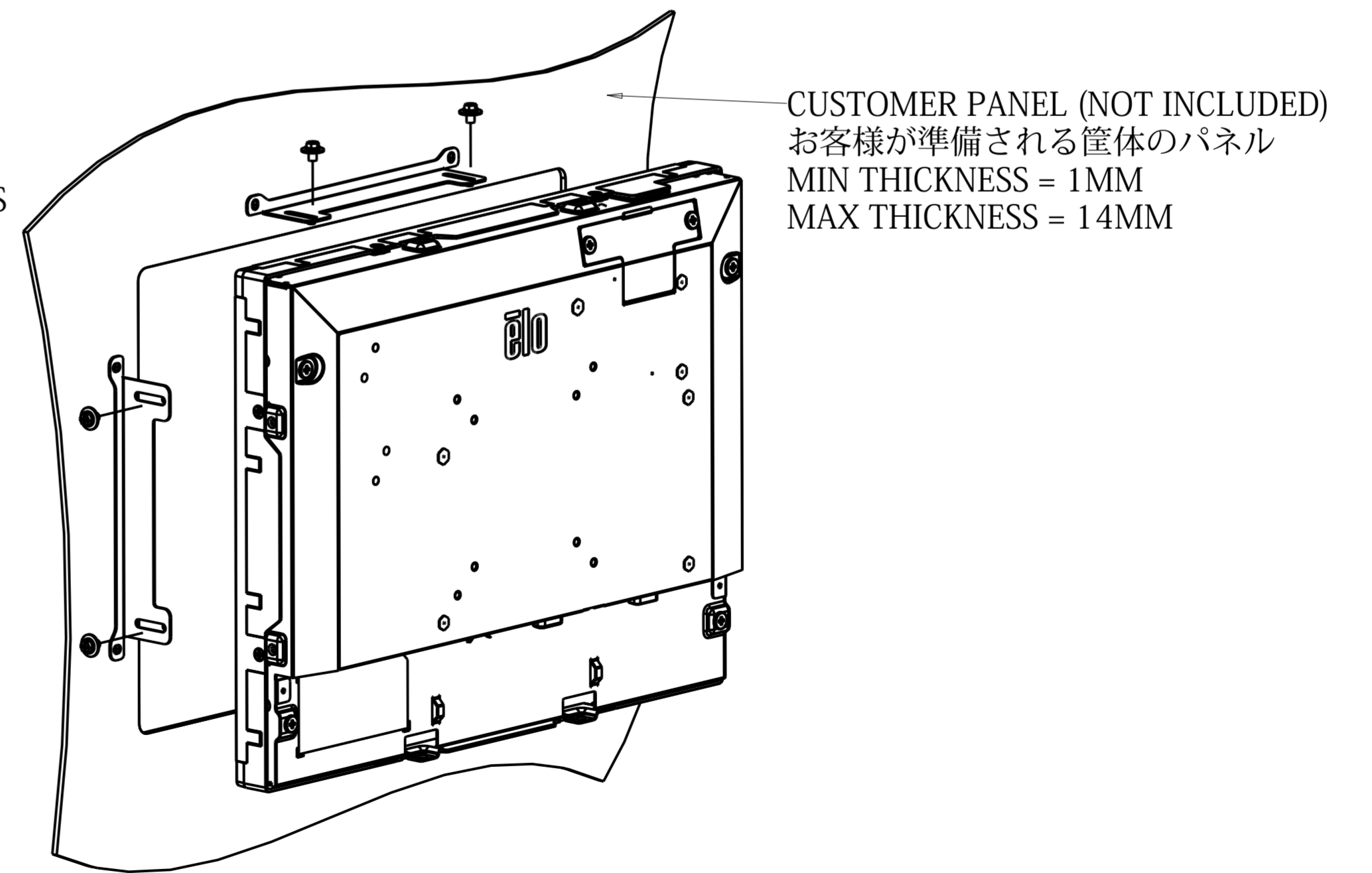
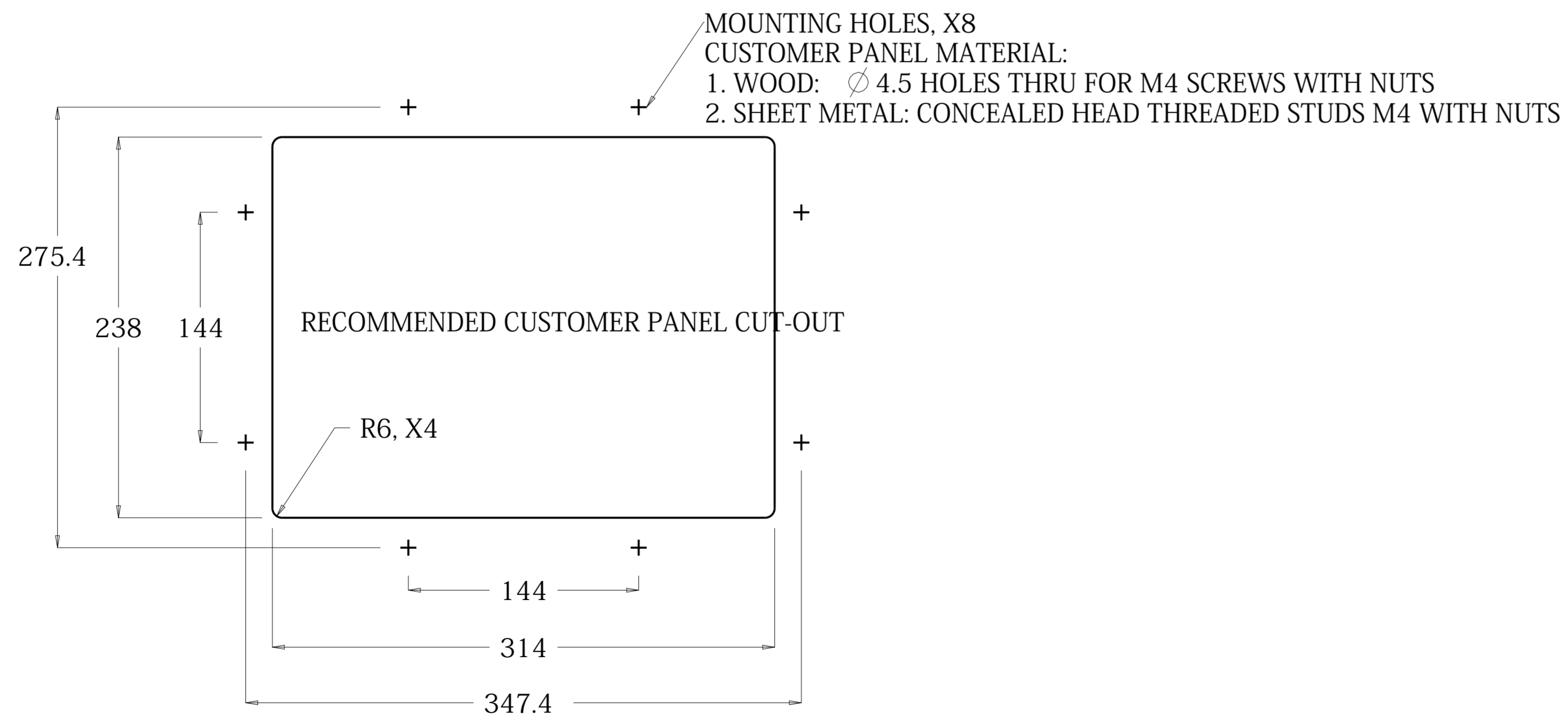
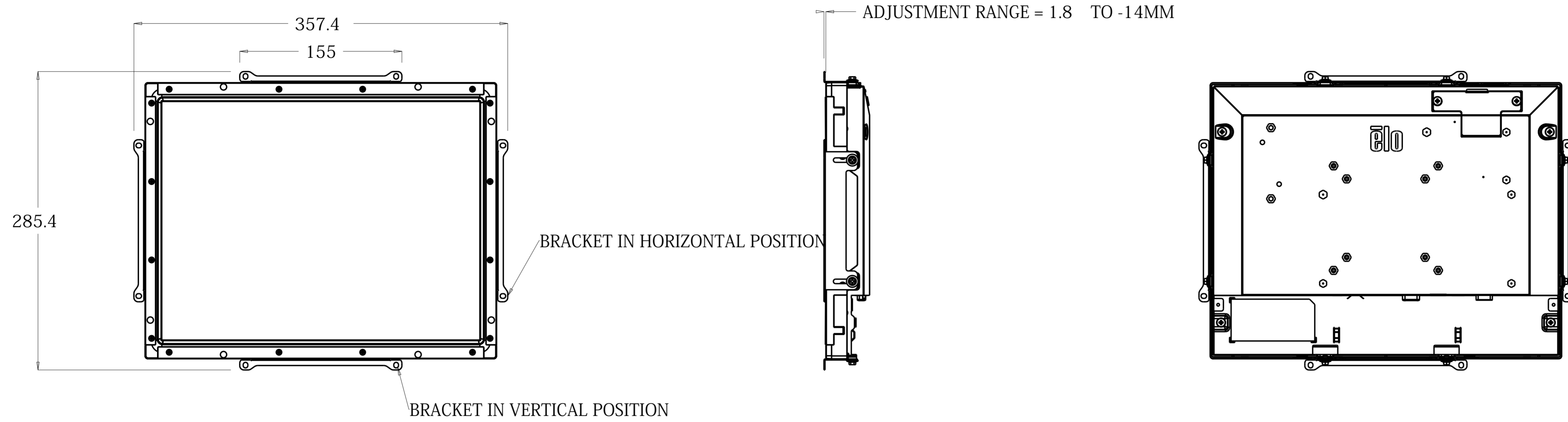


スケール 0.500



# 5線式抵抗膜方式モデル

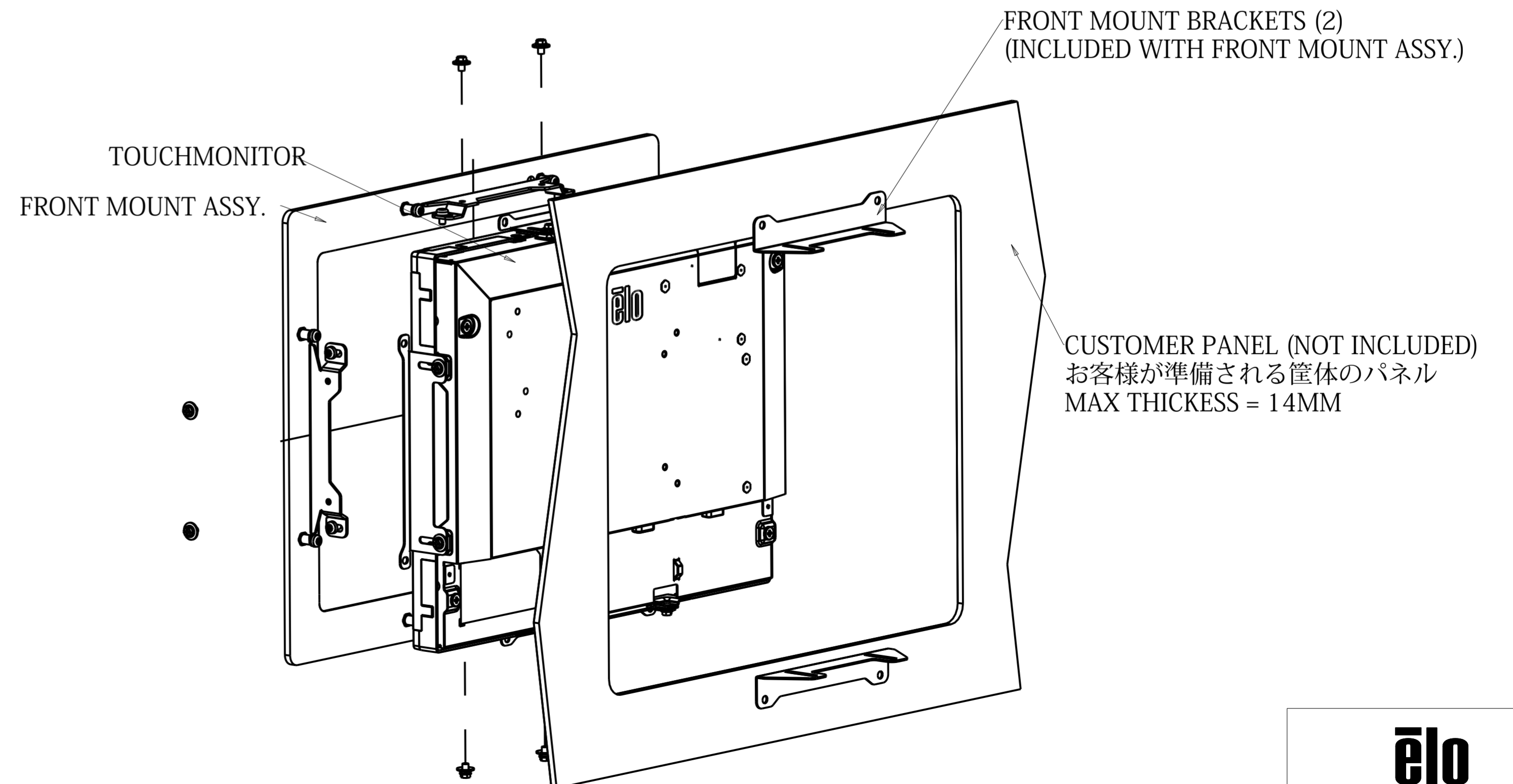
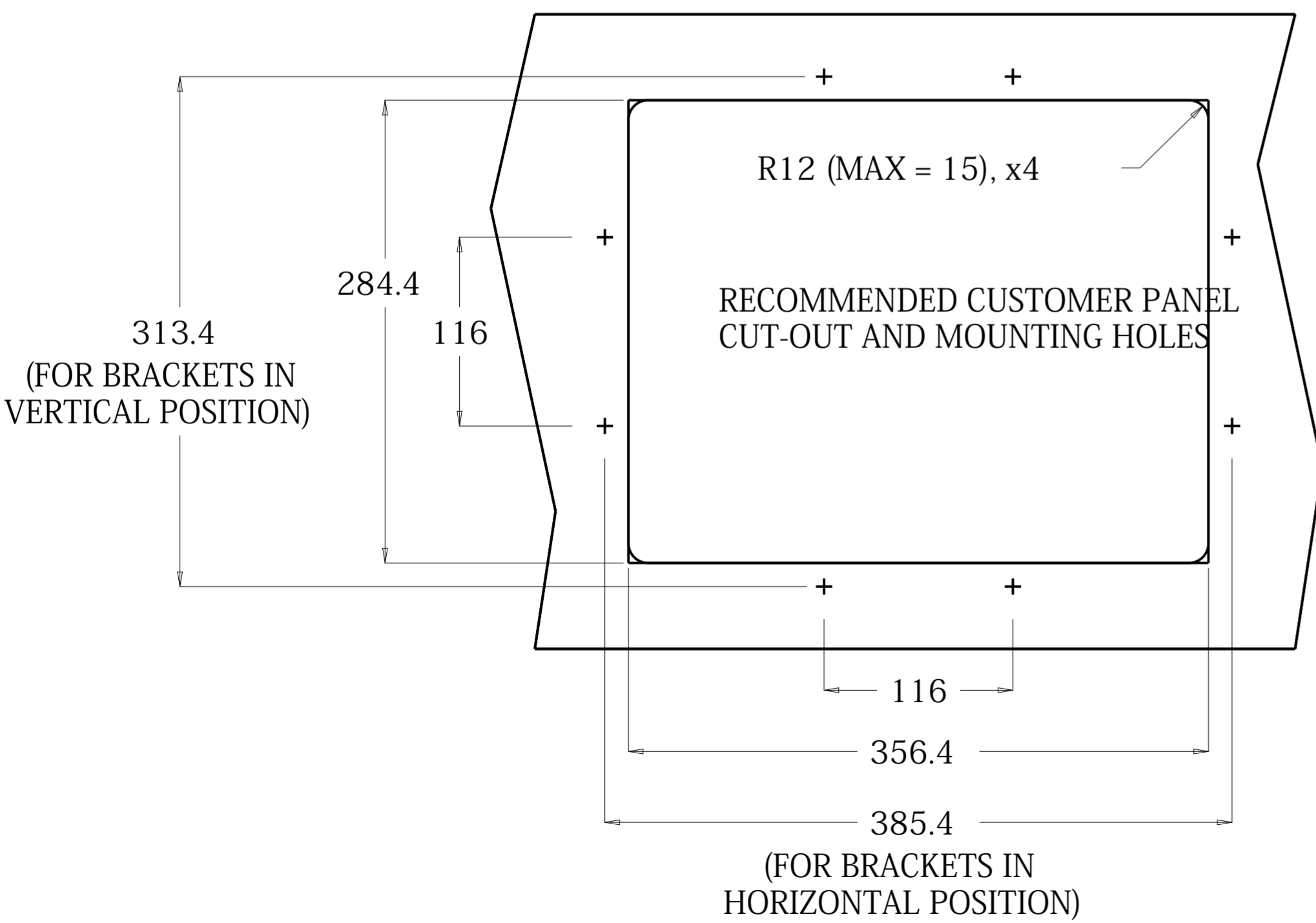
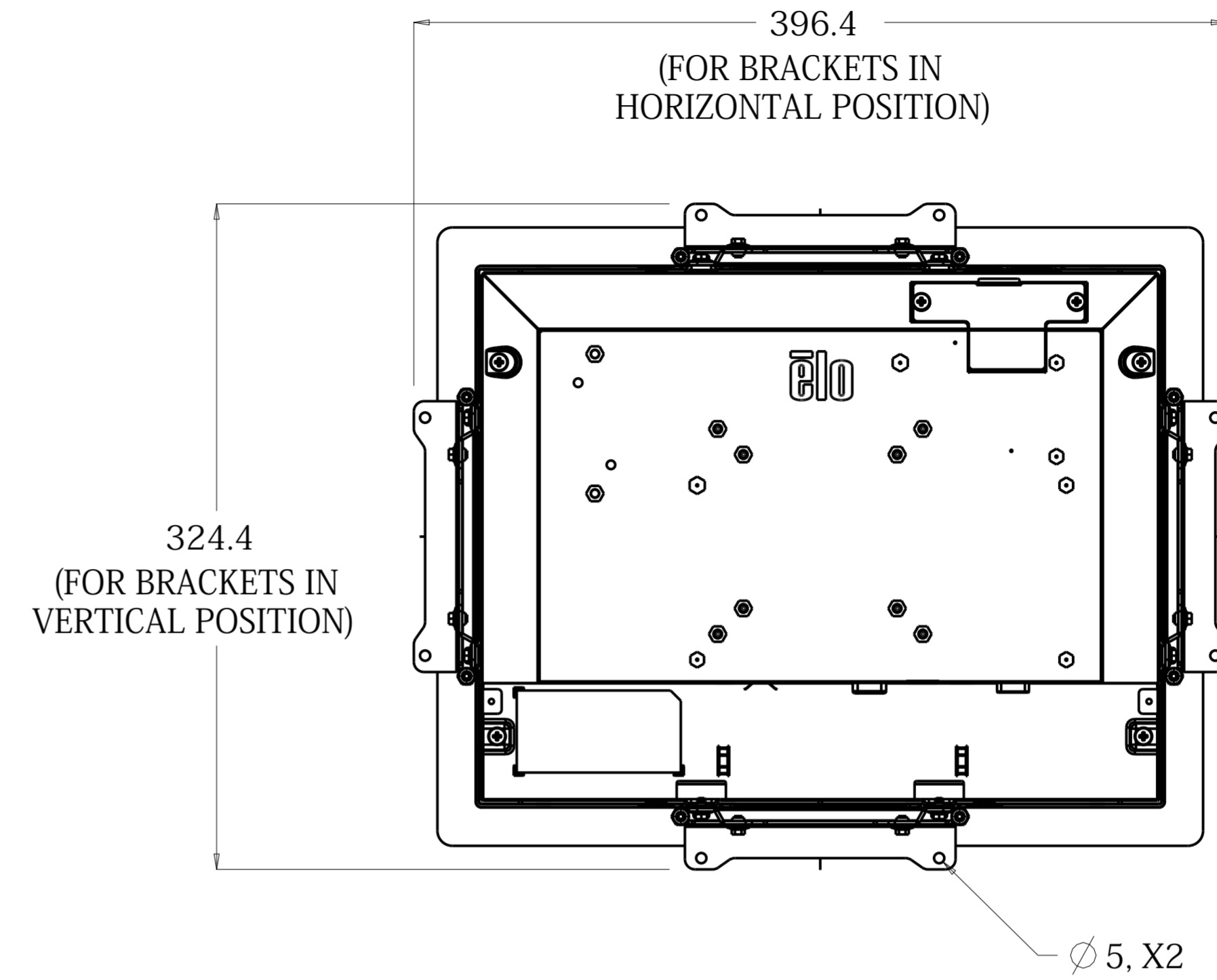
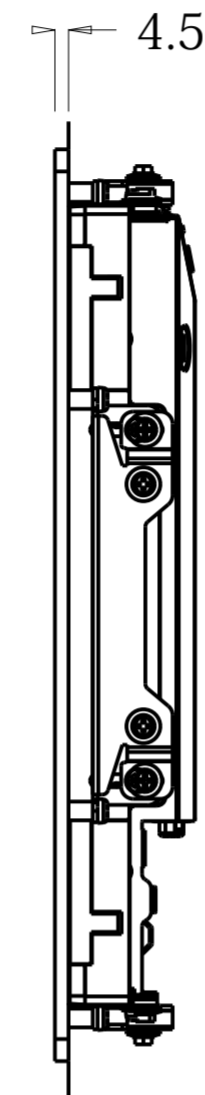
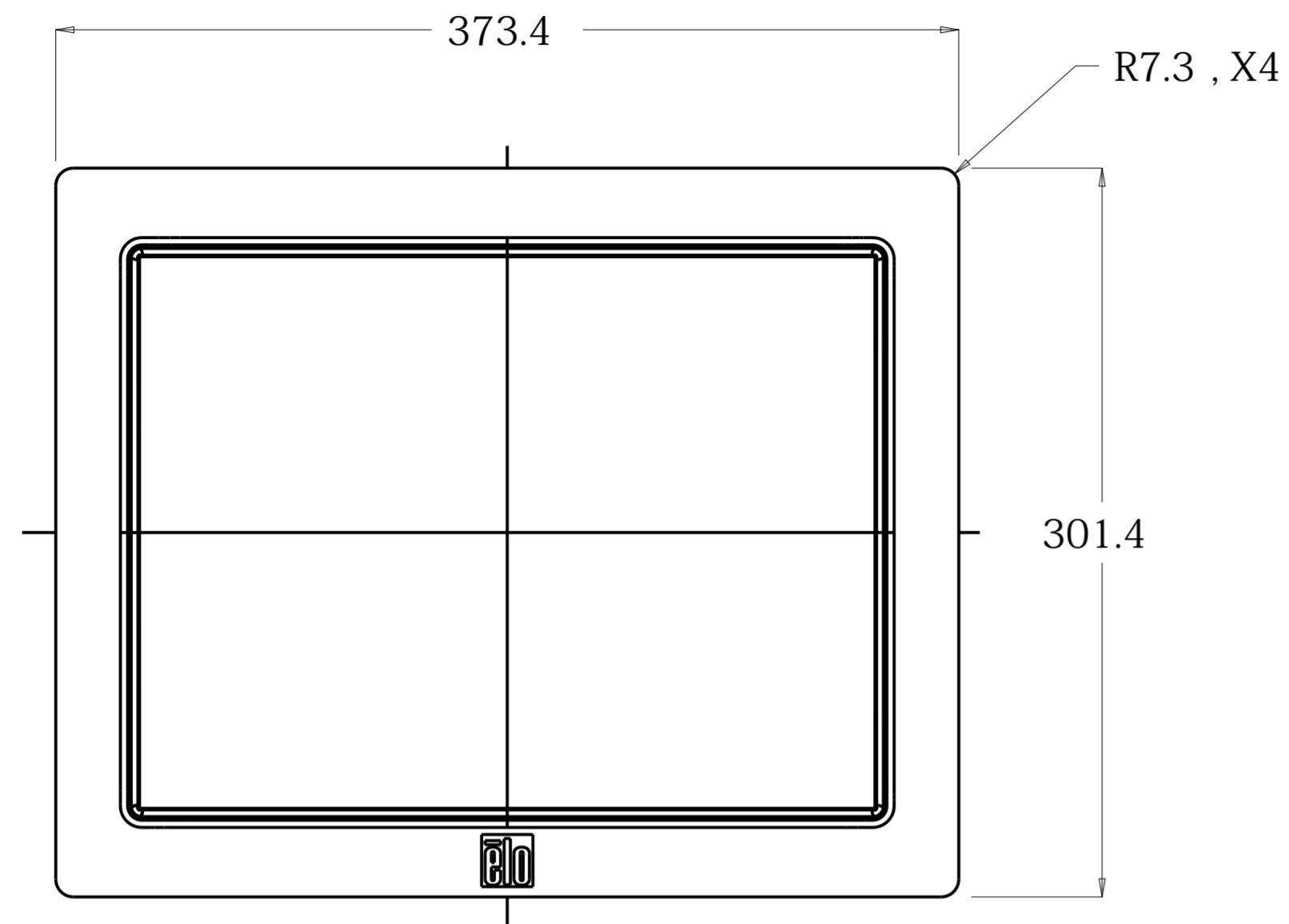
WITH SIDE MOUNTING BRACKETS (2 INCLUDED)  
 REPLACEMENT BRACKET KIT P/N E203787 AVAILABLE SEPARATELY



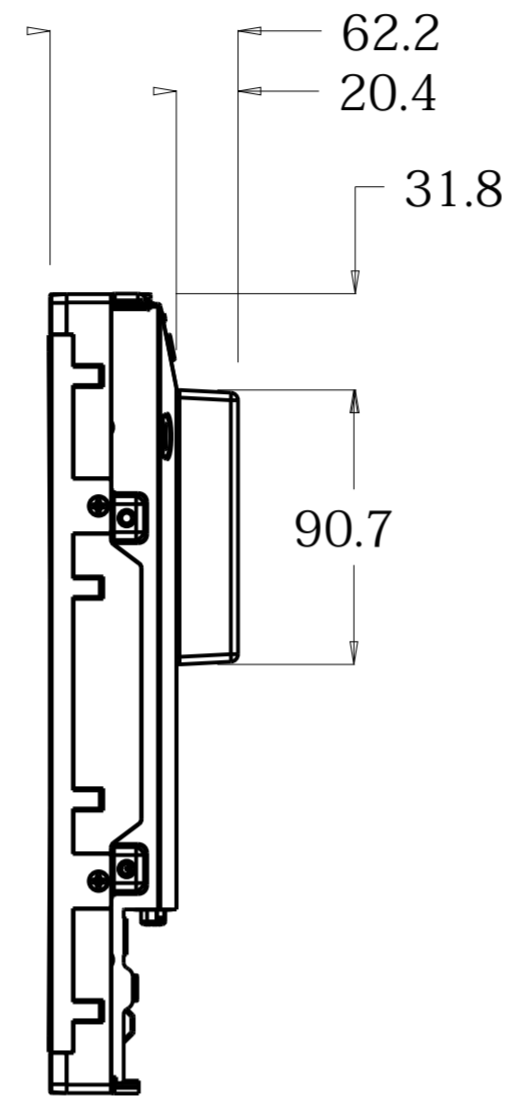
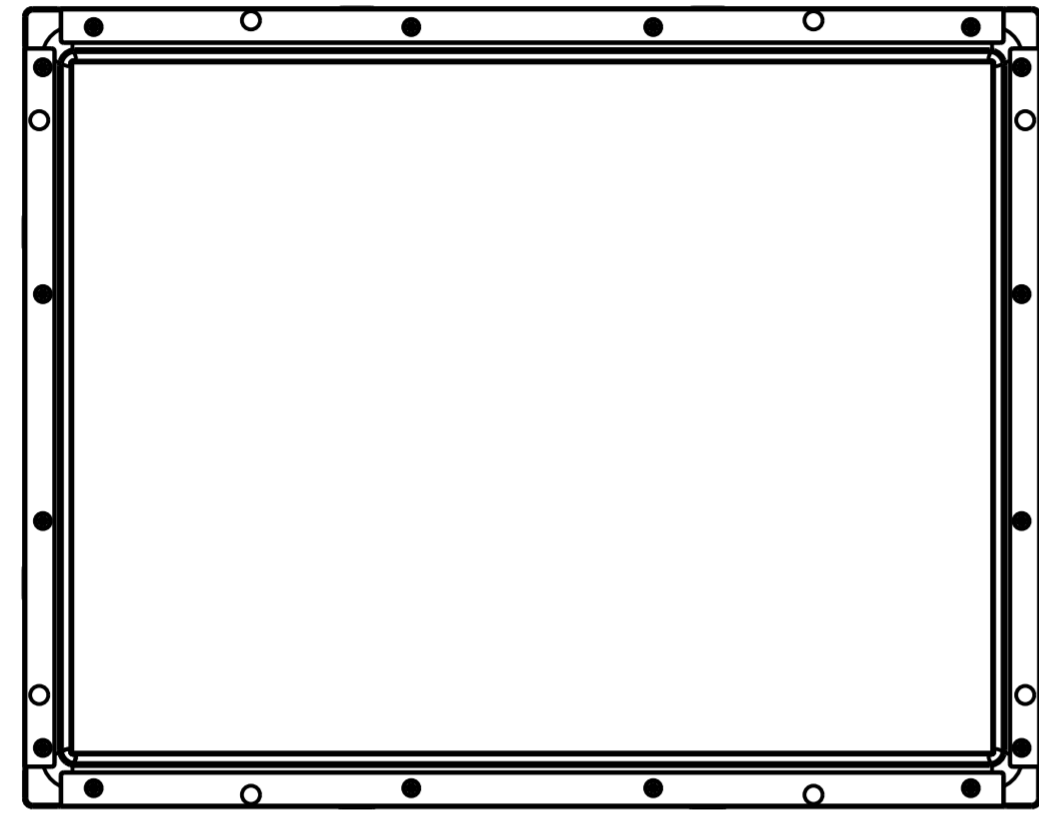
# 5線式抵抗膜方式モデル

FRONT MOUNT OPTION

P/N E323425 ORDERED SEPARATELY, CUSTOMER ASSEMBLED



POWER CONVERTER 24V TO 12V DC  
P/N E239980 ORDERED SEPARATELY, CUSTOMER ASSEMBLED



POWER CONVERTER

