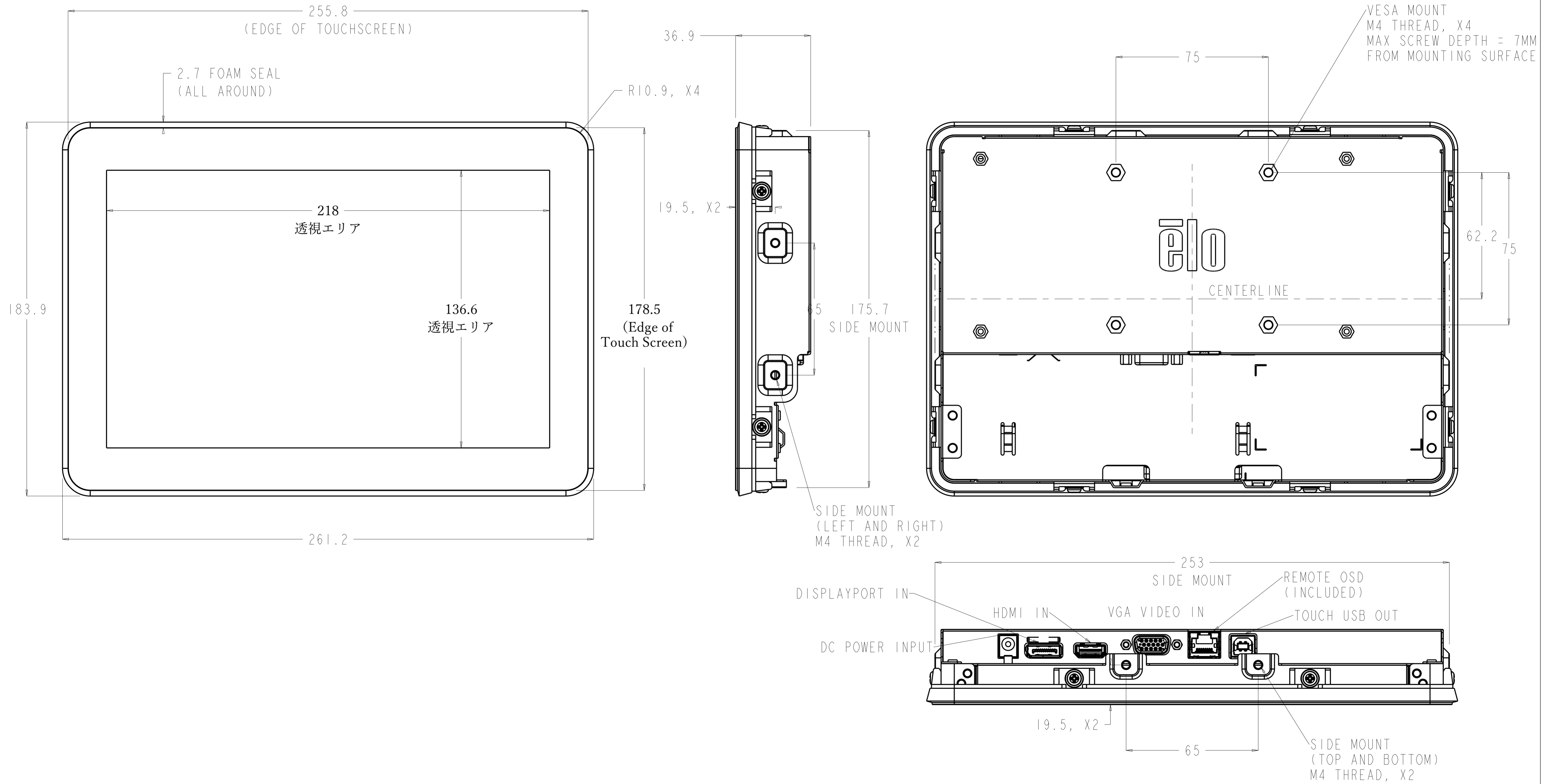
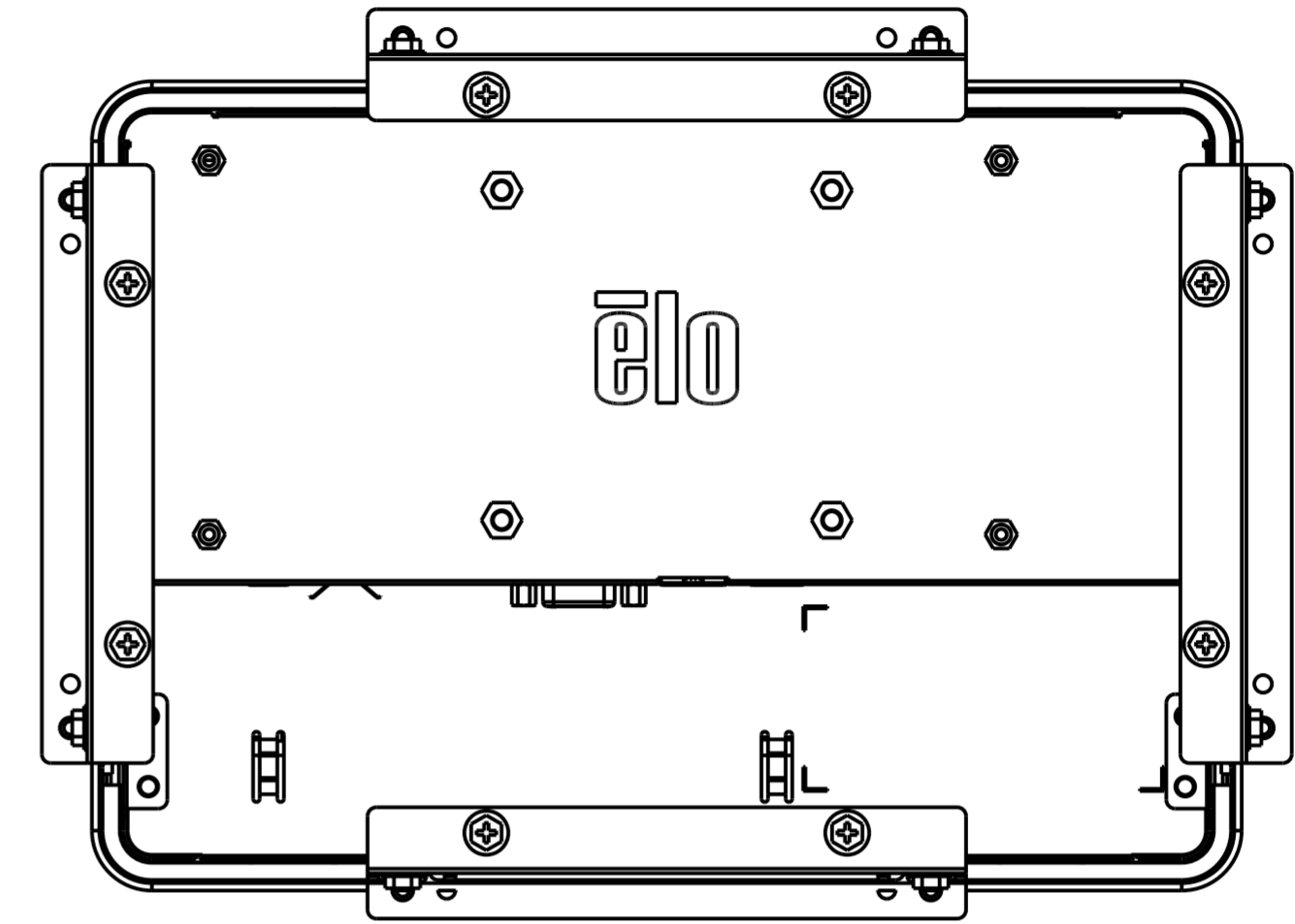
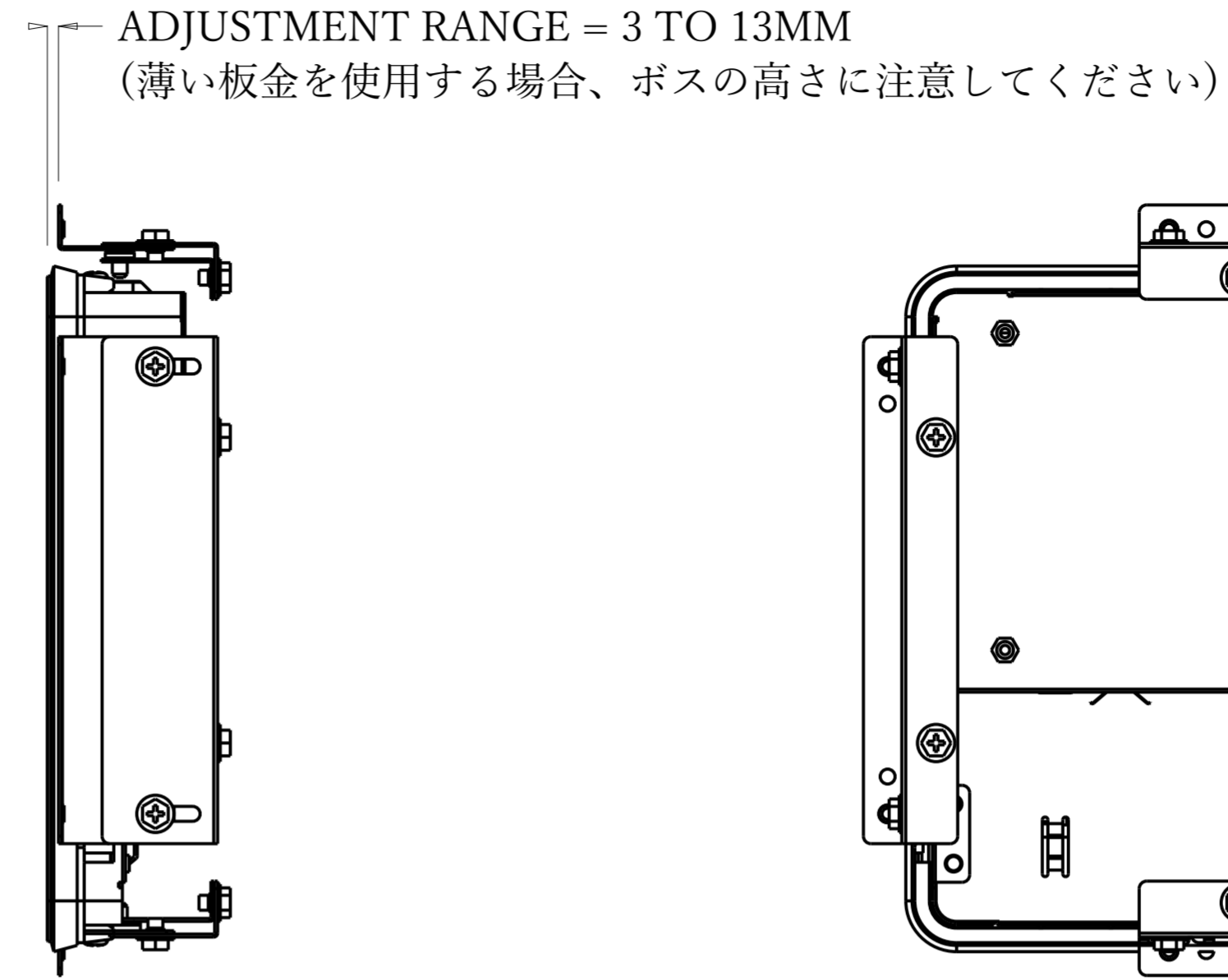
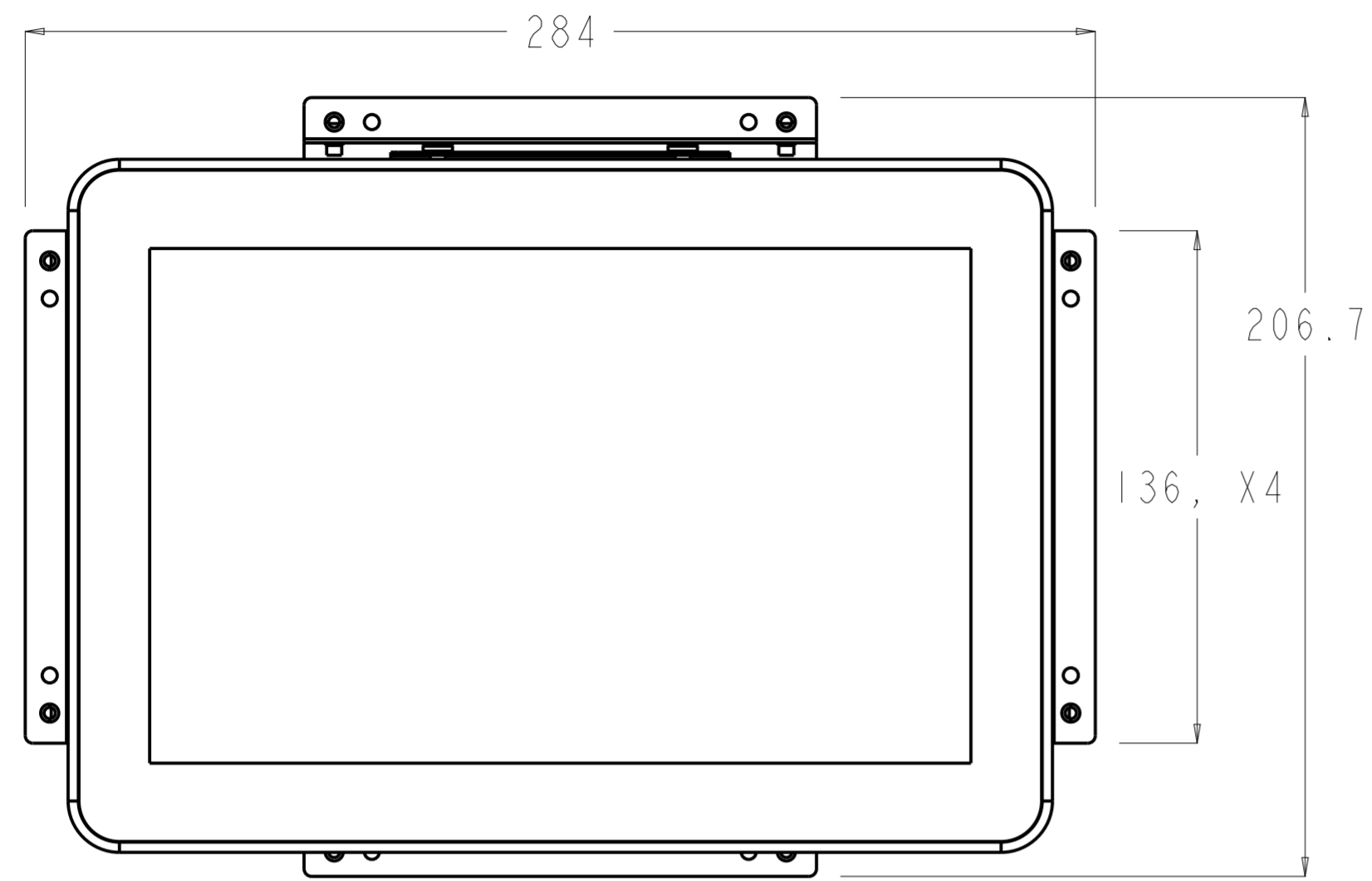


投影型静電容量方式



投影型静電容量方式

WITH FLUSH MOUNTING BRACKETS (4 SETS INCLUDED)



INSTALLATION NOTES:

1. ATTACH BRACKET "A" TO TOUCHMONITOR (ALL FOUR SIDES) WITH LOW PROFILE SCREWS (INCLUDED)
2. ATTACH BRACKET "C" TO CUSTOMER PANEL PER CUT-OUT DRAWING (ALL FOUR SIDES)
3. ATTACH BRACKET "B" TO BRACKET "C" (ALL FOUR SIDES) WITH M4 HEX HEAD SCREWS (INCLUDED)
4. ADJUST DEPTH OF BRACKET "B" SO TOUCHSCREEN IS FLUSH WITH CUSTOMER PANEL
5. PLACE TOUCHMONITOR INTO CUSTOMER PANEL OPENING
6. SECURE TOUCHMONITOR TO BRACKET "B" FROM BEHIND WITH M4 HEX HEAD SCREWS (INCLUDED)

