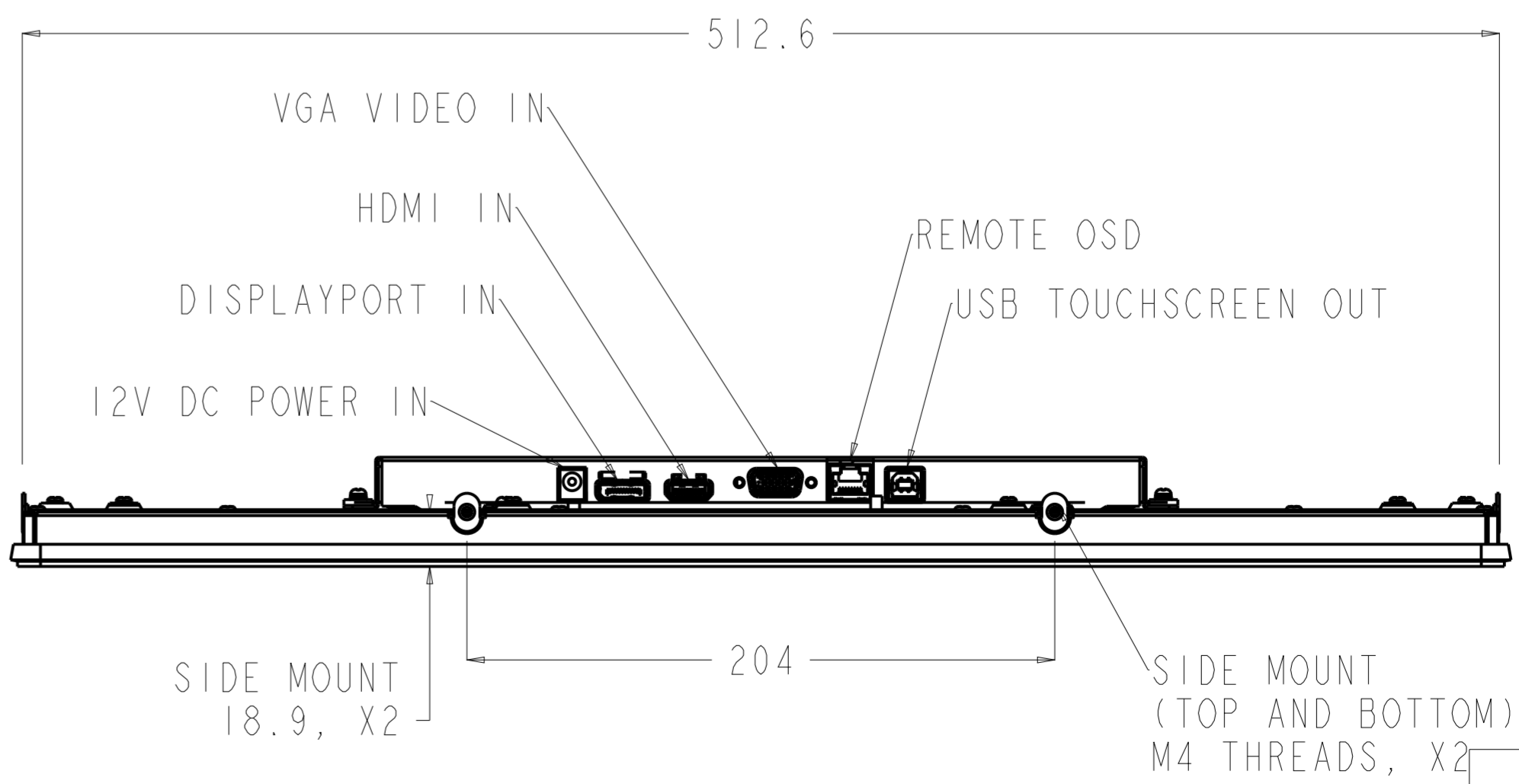
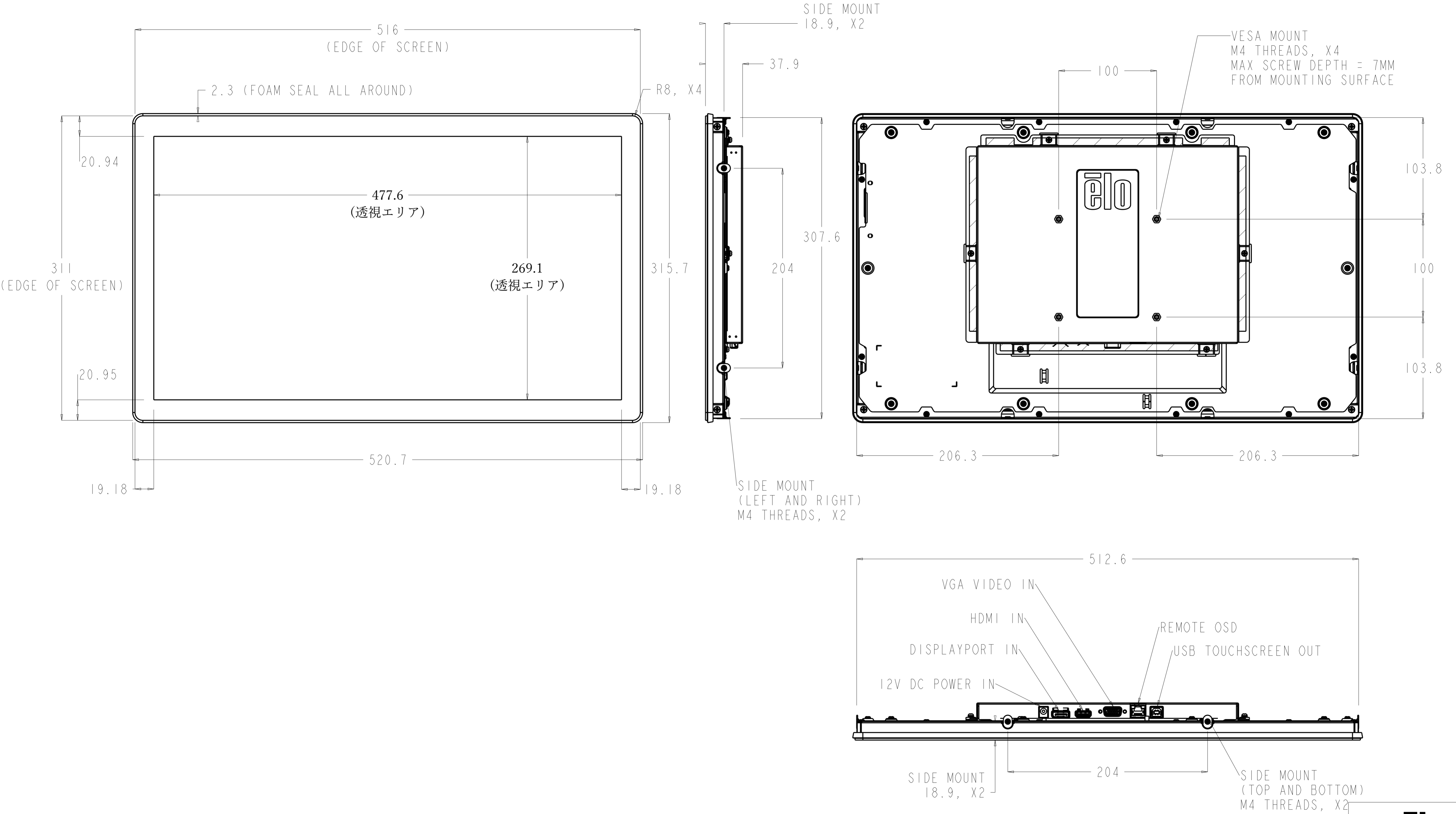
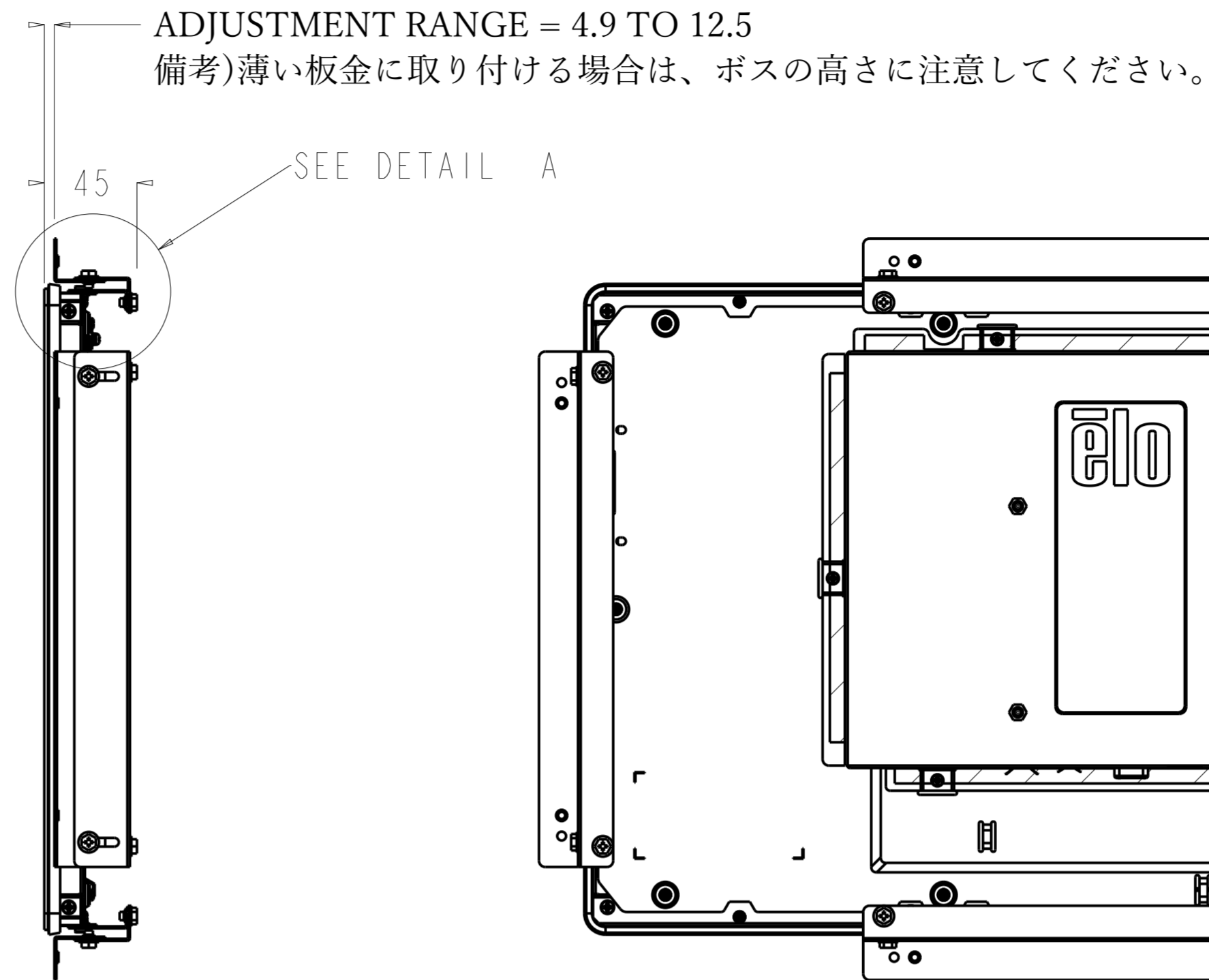
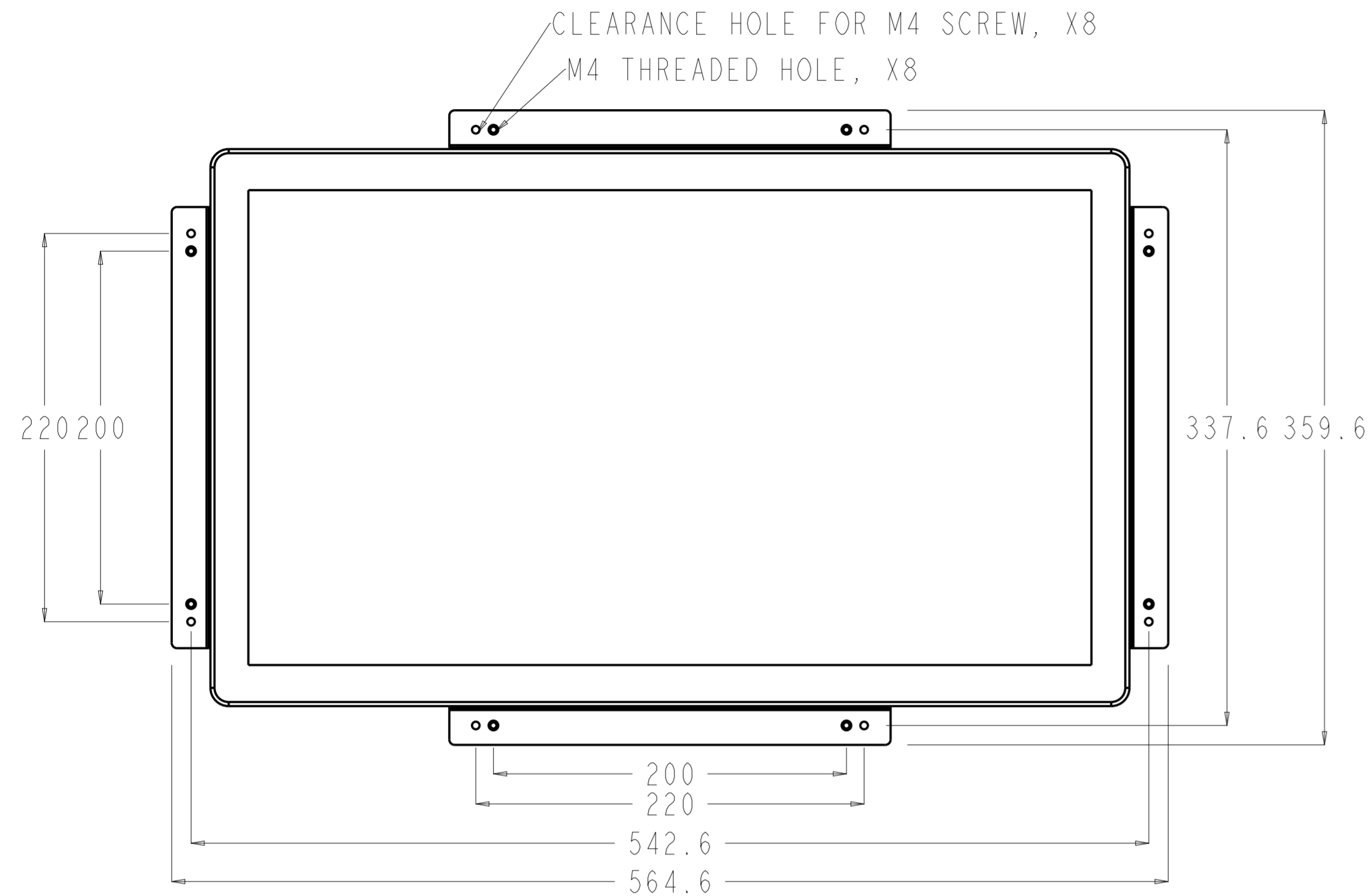


投影型静電容量方式モデル (ゼロベゼル) ET2294L-2UWB-0-MT-ZB-NPB-G

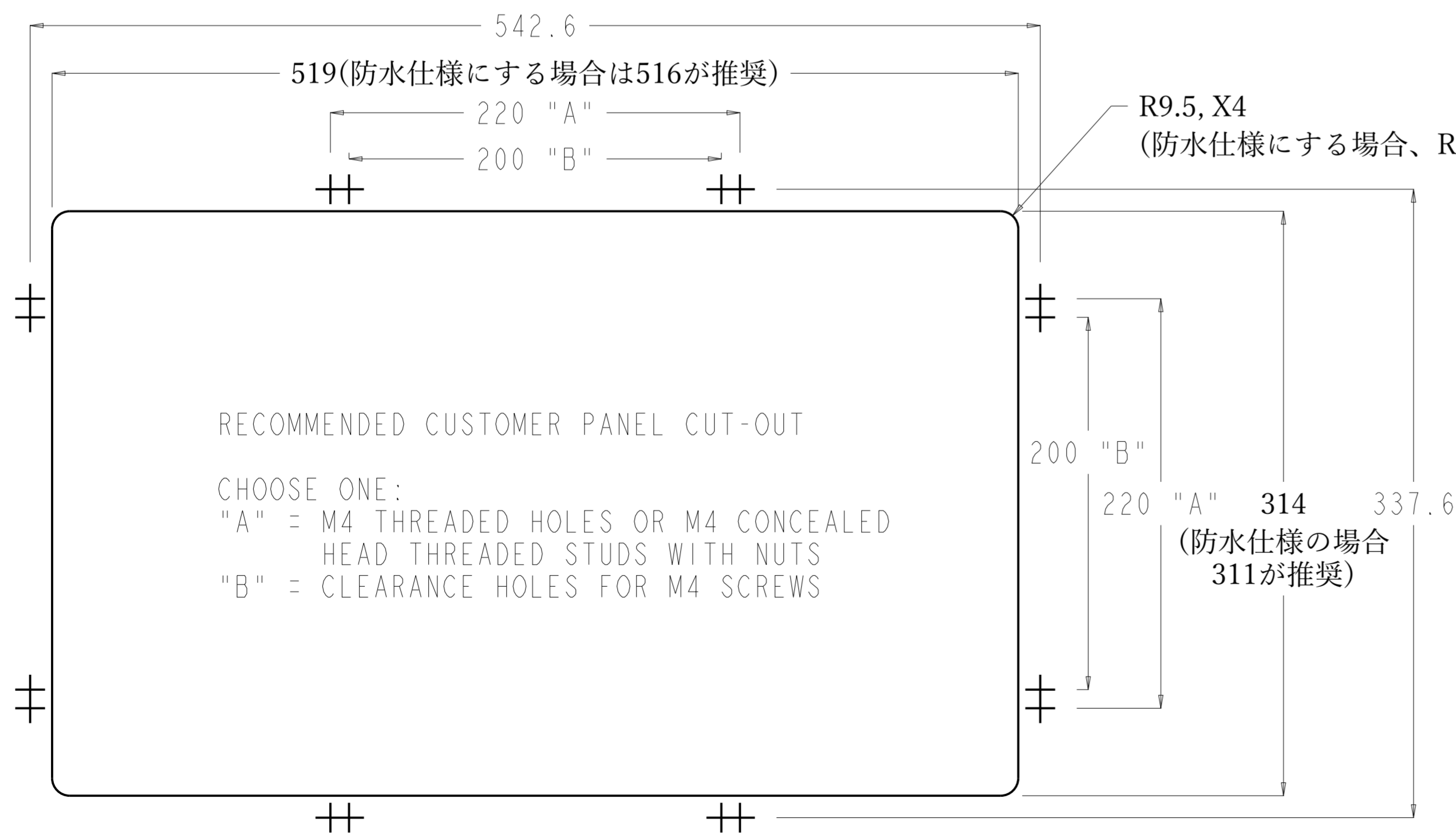


投影型静電容量方式モデル (ゼロベゼル) ET2294L-2UWB-0-MT-ZB-NPB-G

WITH FLUSH MOUNTING BRACKETS (4 INCLUDED)

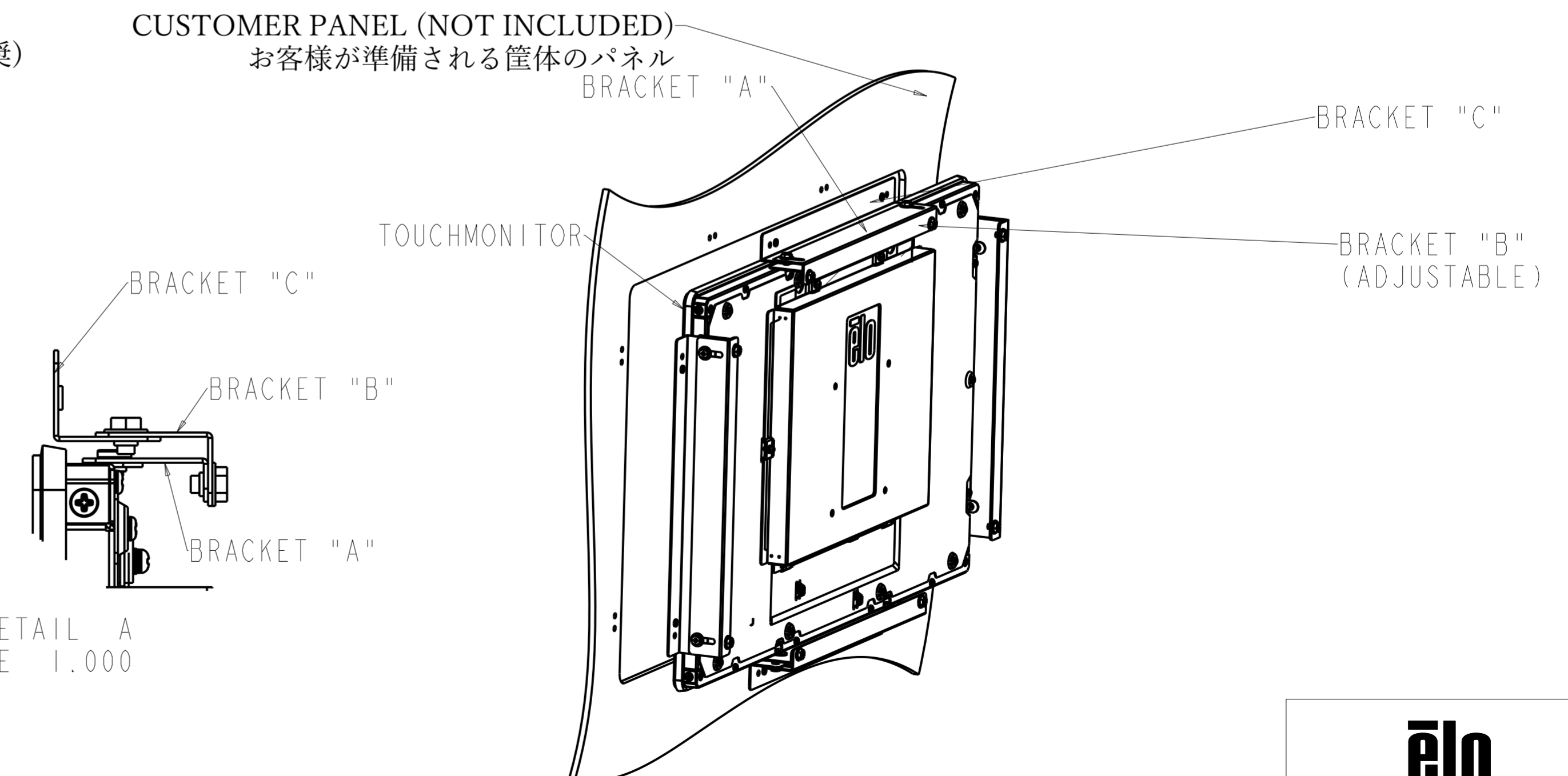


- INSTALLATION NOTES:
1. ATTACH BRACKET "A" TO TOUCHMONITOR (ALL FOUR SIDES) WITH LOW PROFILE SCREWS (INCLUDED)
 2. ATTACH BRACKET "C" TO CUSTOMER PANEL PER CUT-OUT DRAWING (ALL FOUR SIDES)
 3. ATTACH BRACKET "B" TO BRACKET "C" ON ALL FOUR SIDES WITH M4 HEX HEAD SCREWS (INCLUDED)
 4. ADJUST DEPTH OF BRACKET "B" SO MONITOR IS FLUSH WITH CUSTOMER PANEL
 5. PLACE TOUCHMONITOR INTO CUSTOMER PANEL OPENING
 6. SECURE TOUCHMONITOR TO BRACKET "B" FROM BEHIND WITH M4 HEX HEAD SCREWS (INCLUDED)



CUSTOMER PANEL (NOT INCLUDED)

お客様が準備される筐体のパネル



DETAIL A
SCALE 1.000