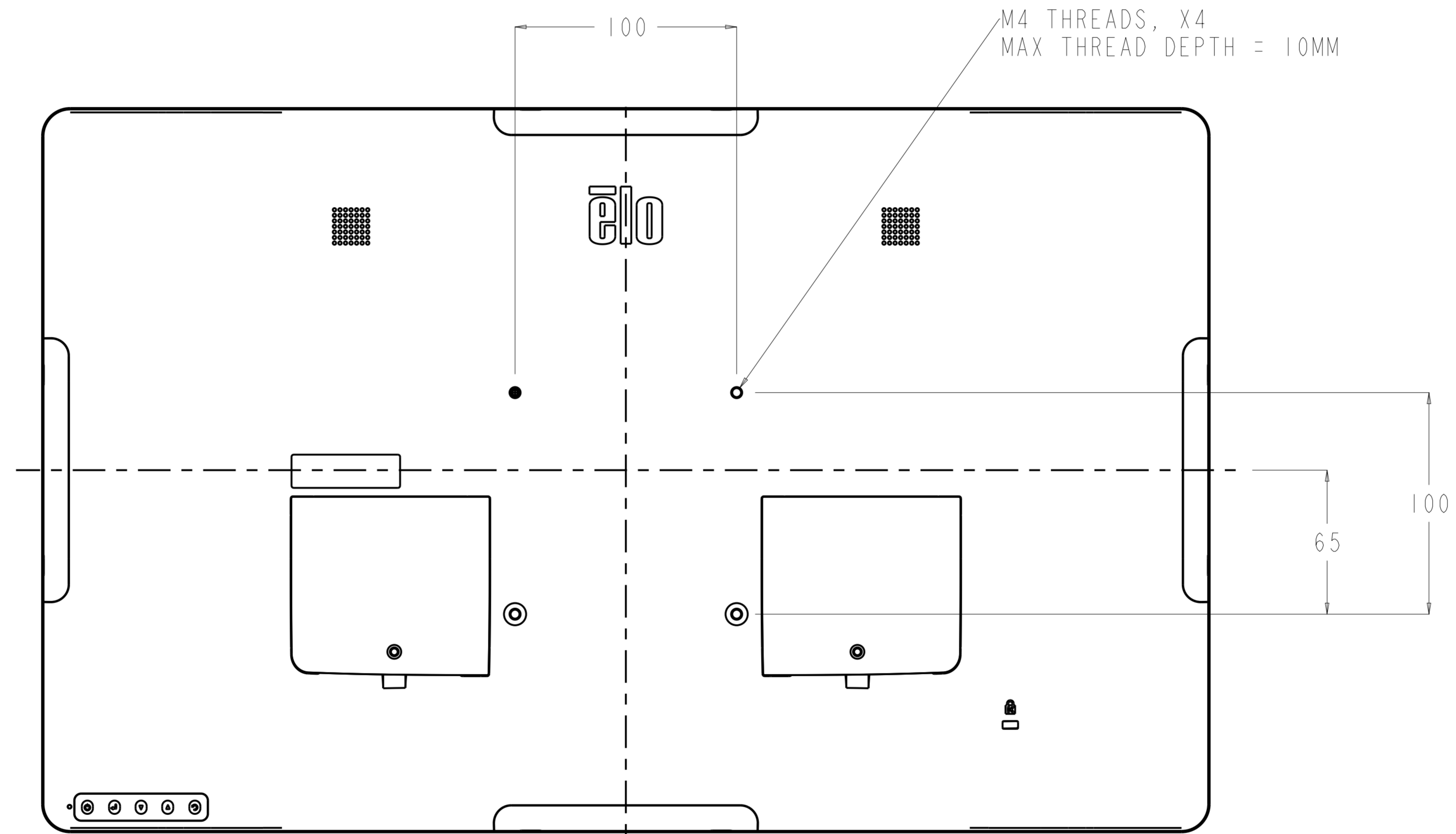


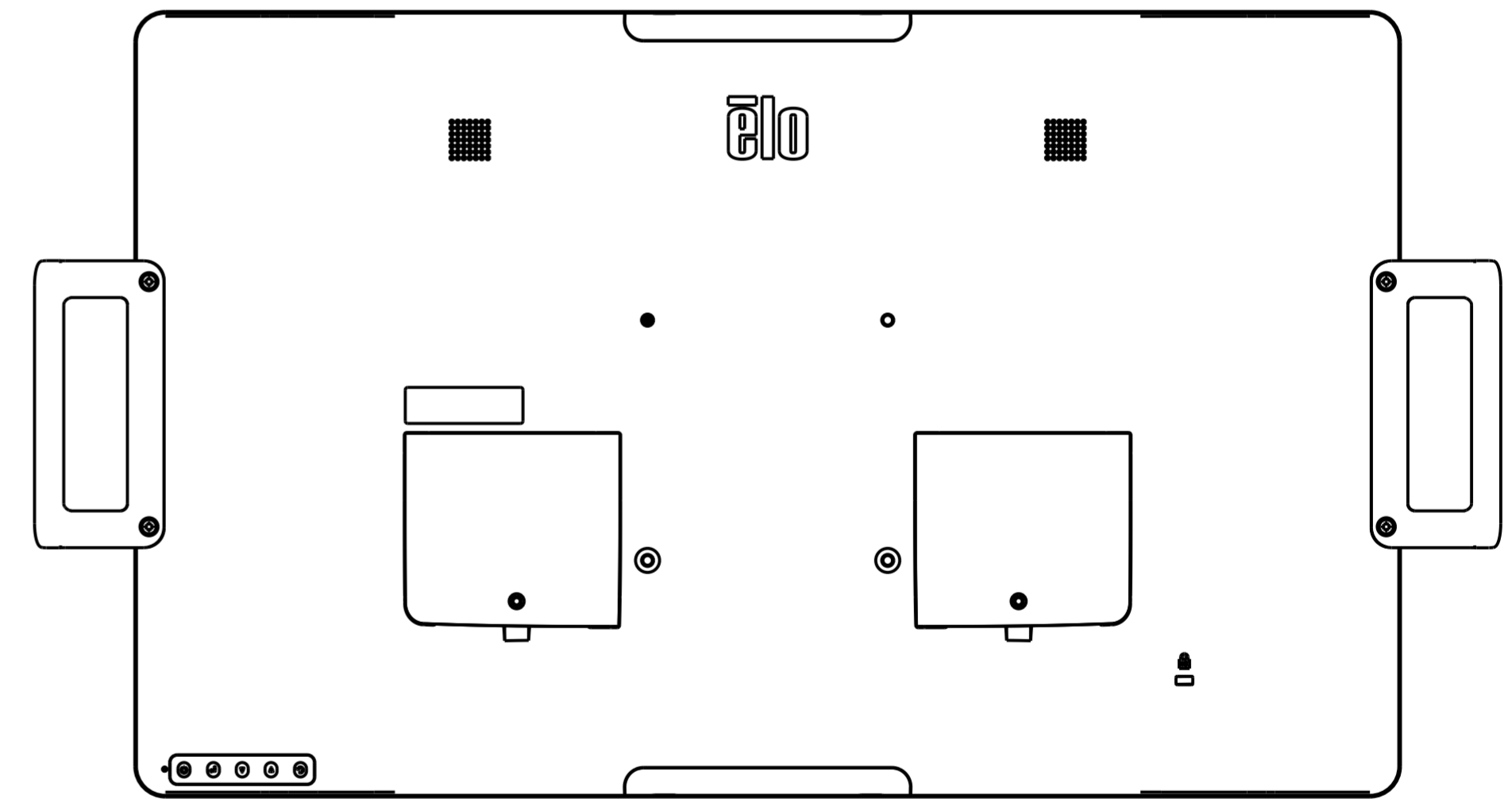
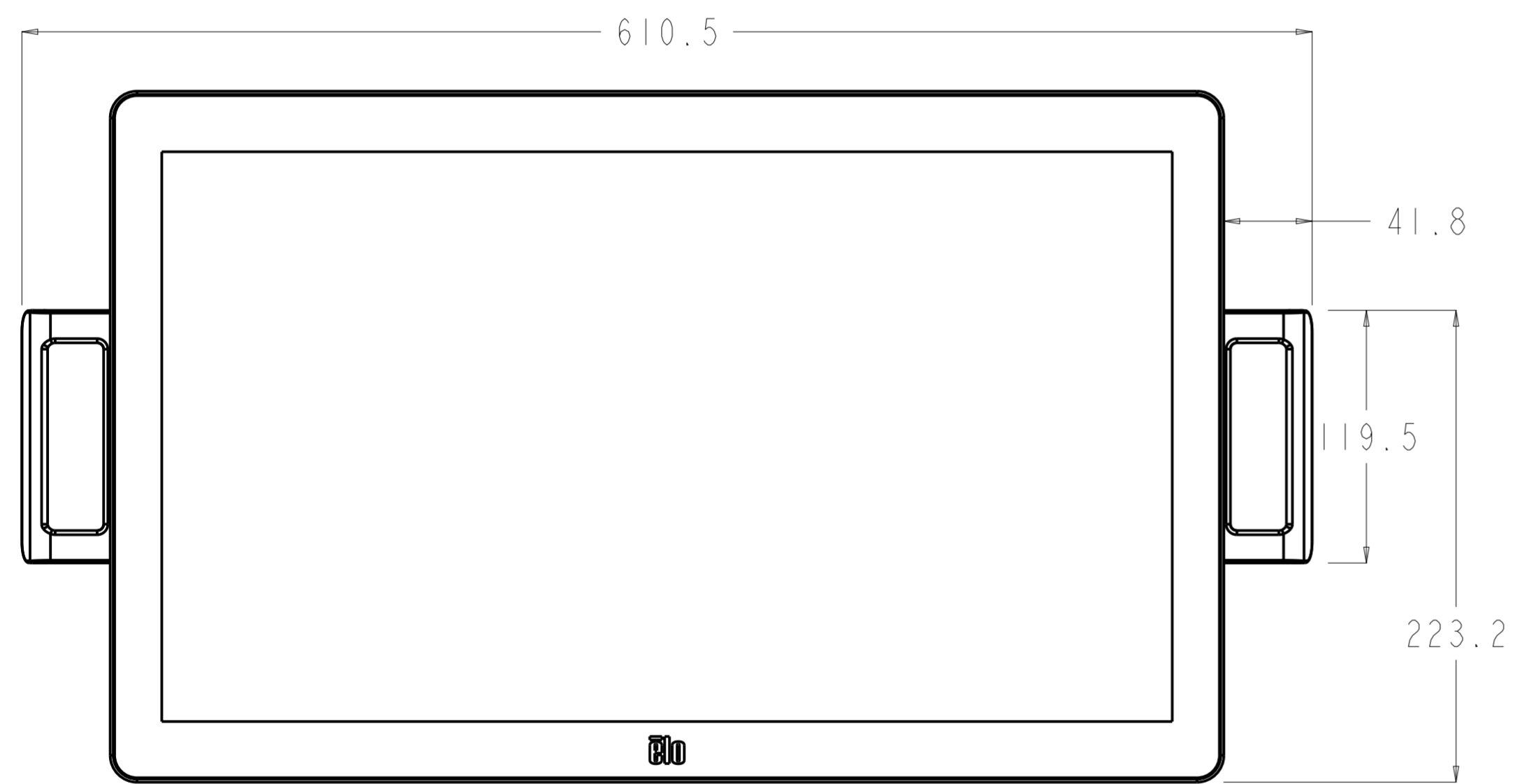
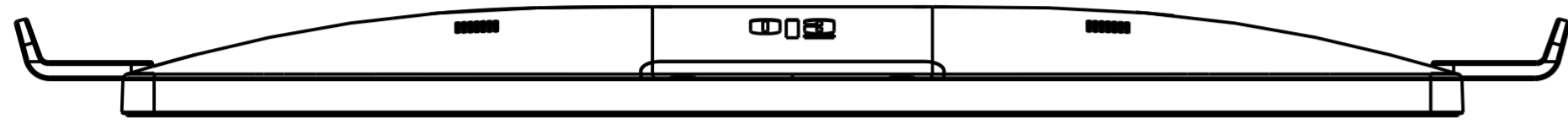
VESA MOUNTING
VESA MIS-D, 100, C

REMOVE STAND TO ACCESS VESA MOUNTING INTERFACE

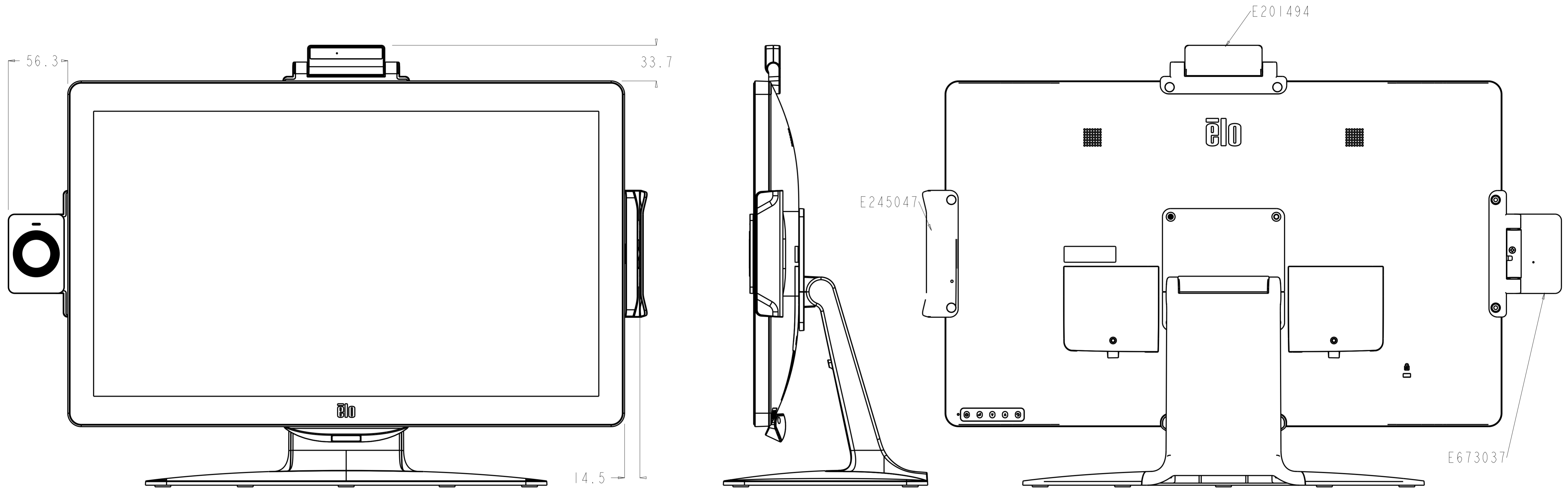


HANDLE KIT P/N E352196
ORDERED SEPARATELY, CUSTOMER ASSEMBLED
2 HANDLES WITH MOUNTING SCREWS INCLUDED IN KIT
HANDLES CAN BE ASSEMBLED ON ANY OF THE FOUR SIDES

HANDLES ARE INTENDED TO ADJUST TILT OF DISPLAY.
DO NOT CARRY TOUCHMONITOR USING HANDLES.



オプション品のWebカメラE201494/2DスキャナーE245047/NFCリーダーE673037を取り付けた場合



スピーカーバーオプション E894719を取り付けた場合

